

DATA SHEET

SURFACE MOUNT MULTILAYER CERAMIC CAPACITORS

General purpose class II

X6S

4 V TO 50 V

100 pF to 47 μ F

RoHS compliant & Halogen free



SCOPE

This specification describes X6S series chip capacitors with lead-free terminations.

APPLICATIONS

- PCs, Hard disk, Game PCs
- Power supplies
- DVD players
- Mobile phones
- Data processing

FEATURES

- Supplied in tape on reel
- Nickel-barrier end termination
- RoHS compliant
- Halogen free compliant
- MSL: level I

ORDERING INFORMATION - GLOBAL PART NUMBER

All part numbers are identified by the series, size, tolerance, TC material, packing style, voltage, process code, termination and capacitance value.

YAGEO BRAND ordering code

GLOBAL PART NUMBER (PREFERRED)

CC XXXX X X **X6S X **BB** XXX**
 (1) (2) (3) (4) (5)

(1) SIZE – INCH BASED (METRIC)

0201 (0603)
 0402 (1005)
 0603 (1608)
 0805 (2012)
 1206 (3216)
 1210 (3225)

(2) TOLERANCE

K = ±10%
 M = ±20%

(3) PACKING STYLE

R = Paper/PE taping reel; Reel 7 inch
 K = Blister taping reel; Reel 7 inch
 P = Paper/PE taping reel; Reel 13 inch
 F = Blister taping reel; Reel 13 inch
 C = Bulk case

(4) RATED VOLTAGE

4 = 4 V
 5 = 6.3 V
 6 = 10 V
 7 = 16 V
 8 = 25 V
 9 = 50 V

(5) CAPACITANCE VALUE

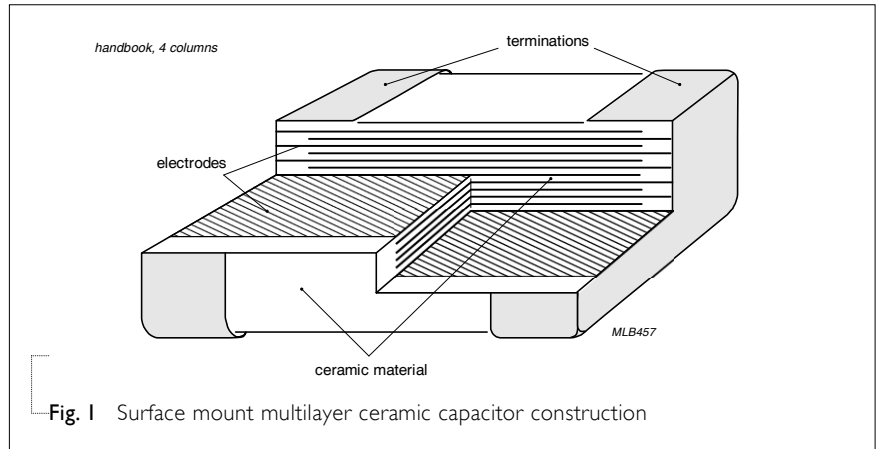
2 significant digits+number of zeros
 The 3rd digit signifies the multiplying factor, and letter R is decimal point
 Example: 103 = $10 \times 10^3 = 10,000 \text{ pF} = 10 \text{ nF}$



CONSTRUCTION

The capacitor consists of a rectangular block of ceramic dielectric in which a number of interleaved metal electrodes are contained. This structure gives rise to a high capacitance per unit volume.

The inner electrodes are connected to the two end terminations and finally covered with a layer of plated tin (NiSn). The terminations are lead-free. A cross section of the structure is shown in Fig.1.

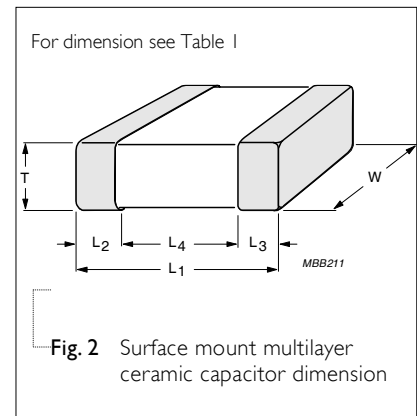


DIMENSION

Table I For outlines see fig. 2

TYPE	L ₁ (mm)	W (mm)	T (MM)	L ₂ / L ₃ (mm)		L ₄ (mm)
				min.	max.	min.
0201	0.6 ±0.03	0.3 ±0.03	0.3 ±0.03	0.10	0.20	0.20
	0.6 ±0.09	0.3 ±0.09	0.3 ±0.09			
0402	1.0 ±0.05	0.5 ±0.05	0.5 ±0.05	0.15	0.35	0.30
	1.0 ±0.1	0.5 ±0.1	0.5 ±0.1			
	1.0 ±0.15	0.5 ±0.15	0.5 ±0.15			
	1.0 ±0.20	0.5 ±0.20	0.5 ±0.20			
0603	1.6 ±0.10	0.8 ±0.10	0.8 ±0.10	0.20	0.60	0.40
	1.6 ±0.15	0.8 ±0.15	0.8 ±0.15			
	1.6 ±0.20	0.8 ±0.20	0.8 ±0.20			
0805	2.0 ±0.20	1.25 ±0.20	1.25 ±0.20	0.25	0.75	0.70
1206	3.2 ±0.30	1.6 ±0.20	1.6 ±0.20	0.25	0.75	1.40
1210	3.2 ±0.40	2.5 ±0.30	2.5 ±0.20	0.25	0.75	1.40
	3.2 ±0.40	2.5 ±0.30	2.5 ±0.30			

OUTLINES



CAPACITANCE RANGE & THICKNESS FOR X6S

Table 2 Sizes from 0201 to 0603

CAP.	0201				0402				0603					
	6.3V	10V	16V	25V	6.3 V	10 V	16 V	25 V	4 V	6.3 V	10 V	16 V	25 V	50 V
100 nF	0.3±0.03	0.3±0.03	0.3±0.03	0.3±0.03	0.5±0.05	0.5±0.05	0.5±0.05	0.5±0.05					0.8±0.1	
220 nF	0.3±0.03	0.3±0.03			0.5±0.05	0.5±0.05	0.5±0.05	0.5±0.05					0.8±0.1	
470 nF	0.3±0.09				0.5±0.05	0.5±0.05	0.5±0.1						0.8±0.1	
1 uF	0.3±0.09				0.5±0.05	0.5±0.05	0.5±0.1	0.5±0.20	0.8±0.1	0.8±0.1	0.8±0.1	0.8±0.1	0.8±0.1	0.8±0.15
2.2 uF					0.5±0.20	0.5±0.20	0.5±0.20		0.8±0.1	0.8±0.1	0.8±0.1	0.8±0.2	0.8±0.2	
4.7 uF					0.5±0.15				0.8±0.2	0.8±0.2	0.8±0.2	0.8±0.2		
10 uF					0.5±0.20				0.8±0.2	0.8±0.2	0.8±0.2	0.8±0.2		
22 uF									0.8±0.2	0.8±0.2				
47 uF														

Table 3 Sizes from 0805 to 1210

CAP.	0805					1206				1210		
	6.3 V	10 V	16 V	25 V	50 V	6.3 V	10 V	16 V	25 V	6.3 V	10 V	16V
100 nF												
220 nF												
470 nF												
1 uF												
2.2 uF	1.25±0.2	1.25±0.2	1.25±0.2	1.25±0.2	1.25±0.2							
4.7 uF	1.25±0.2	1.25±0.2	1.25±0.2	1.25±0.2								
10 uF	1.25±0.2	1.25±0.2	1.25±0.2	1.25±0.2		1.6±0.2	1.6±0.2	1.6±0.2	1.6±0.2			
22 uF	1.25±0.2	1.25±0.2	1.25±0.2			1.6±0.2	1.6±0.2					
47 uF	1.25±0.2										2.5±0.2	2.5±0.2
100 uF												

THICKNESS CLASSES AND PACKING QUANTITY

Table 4

SIZE CODE	THICKNESS CLASSIFICATION	TAPE WIDTH QUANTITY PER REEL	Ø 180 MM / 7 INCH		Ø 330 MM / 13 INCH		QUANTITY PER BULK CASE
			Paper	Blister	Paper	Blister	
0201	0.3 ±0.03 mm	8 mm	15,000	---	50,000	---	---
0402	0.5 ±0.05 mm	8 mm	10,000	---	50,000	---	50,000
0603	0.8 ±0.1 mm	8 mm	4,000	---	15,000	---	15,000
0805	1.25 ±0.2 mm	8 mm	---	3,000	---	10,000	5,000
1206	1.6 ±0.2 mm	8 mm	---	2,000	---	8,000	---
1210	2.5±0.2/0.3 mm	8 mm	---	500	---	---	---

ELECTRICAL CHARACTERISTICS

X6S DIELECTRIC CAPACITORS; NISN TERMINATIONS

Unless otherwise specified, all tests and measurements shall be made under standard atmospheric conditions for testing as given in 5.3 of IEC 60068-1:

- Temperature: 15 ° C to 35 ° C
- Relative humidity: 25% to 75%
- Air pressure: 86 kPa to 106 kPa

Before the measurements are made, the capacitor shall be stored at the measuring temperature for a time sufficient to allow the entire capacitor to reach this temperature.

The period as prescribed for recovery at the end of a test is normally sufficient for this purpose.

Table 5

DESCRIPTION	VALUE
Capacitance range	100 nF to 100 µF
Capacitance tolerance	±10% and ±20%
Dissipation factor (D.F.)	≤10%
Insulation resistance after 1 minute at U_r (DC)	$R_{ins} \times C_r \geq 100 / 50 \Omega.F *$
Maximum capacitance change as a function of temperature (temperature characteristic/coefficient):	±22%
Operating temperature range:	-55 °C to +105 °C

Note:

$R_{ins} \times C_r \geq 100 \Omega.F$

0201: 100nF to 470nF

0603: 100nF to 1µF, 2.2µF/ 6.3V to 16V, 4.7µF/ 6.3V to 16V

0805: 2.2µF, 4.7µF to 10µF/ 6.3V to 16V

1206: 10µF/ 6.3V to 16V, 22µF/ 6.3V to 10V

$R_{ins} \times C_r \geq 50 \Omega.F$

0201: 100nF / 16V to 25V, 1µF

0402: 220nF to 1µF/ 6.3V to 25V, 470nF/ 6.3V to 16V, 1µF to 2.2µF/ 6.3V to 16V, 4.7µF/ 6.3V, 10µF/ 6.3V

0603: 1µF/ 50V, 2.2µF/ 25V, 4.7µF/ 25V, 10µF to 22µF

0805: 4.7µF/ 50V, 10µF/ 25V, 22µF to 47µF

1206: 10µF/ 25V, 22µF/ 16V, 47µF to 100µF

1210: 47µF to 100µF



SOLDERING RECOMMENDATION

Table 6

SOLDERING METHOD	SIZE				
	≤ 0402	0603	0805	1206	≥ 1210
Reflow	Reflow only	≥ 1.0 μF	≥ 2.2 μF	≥ 4.7 μF	Reflow only
Reflow/Wave	---	< 1.0 μF	< 2.2 μF	< 4.7 μF	---

TESTS AND REQUIREMENTS

Table 7 Test procedures and requirements

TEST	TEST METHOD	PROCEDURE	REQUIREMENTS
Mounting	IEC 60384-21/22 4.3	The capacitors may be mounted on printed-circuit boards or ceramic substrates	No visible damage
Visual Inspection and Dimension Check	IEC 60384-21/22 4.4	Any applicable method using × 10 magnification	In accordance with specification
Capacitance ⁽¹⁾	IEC 60384-21/22 4.5.1	Class 2: At 20 °C, 24 hrs after annealing Cap ≤ 1 μF, f = 1 KHz, measuring at voltage 1 Vrms at 20 ° C Cap > 1 μF, f = 1 KHz for C ≤ 10 μF, rated voltage > 6.3 V, measuring at voltage 1 Vrms at 20 ° C f = 1 KHz, for C ≤ 10 μF, rated voltage ≤ 6.3 V, measuring at voltage 0.5 to 1 Vrms at 20 ° C f = 120 Hz for C > 10 μF, measuring at voltage 0.5 Vrms at 20 ° C	Within specified tolerance
Dissipation Factor (D.F.) ⁽¹⁾	IEC 60384-21/22 4.5.2	Class 2: At 20 °C, 24 hrs after annealing Cap ≤ 1 μF, f = 1 KHz, measuring at voltage 1 Vrms at 20 ° C Cap > 1 μF, f = 1 KHz for C ≤ 10 μF, rated voltage > 6.3 V, measuring at voltage 1 Vrms at 20 ° C f = 1 KHz, for C ≤ 10 μF, rated voltage ≤ 6.3 V, measuring at voltage 0.5 Vrms at 20 ° C f = 120 Hz for C > 10 μF, measuring at voltage 0.5 Vrms at 20 ° C	In accordance with specification
Insulation Resistance	IEC 60384-21/22 4.5.3	At U _r (DC) for 1 minute	In accordance with specification

NOTE

1. The figure indicates typical inspection. Please refer to individual specifications.



TEST	TEST METHOD	PROCEDURE	REQUIREMENTS												
<p>Temperature Characteristic</p>	<p>IEC 60384-21/22 4.6</p>	<p>Capacitance shall be measured by the steps shown in the following table.</p> <p>The capacitance change should be measured after 5 min at each specified temperature stage.</p> <table border="1" style="margin-left: 20px; border-collapse: collapse;"> <thead> <tr> <th>Step</th> <th>Temperature(°C)</th> </tr> </thead> <tbody> <tr> <td>a</td> <td>25±2</td> </tr> <tr> <td>b</td> <td>Lower temperature±3°C</td> </tr> <tr> <td>c</td> <td>25±2</td> </tr> <tr> <td>d</td> <td>Upper Temperature±2°C</td> </tr> <tr> <td>e</td> <td>25±2</td> </tr> </tbody> </table> <p style="margin-left: 20px;">Class II</p> <p>Capacitance Change shall be calculated from the formula as below</p> $\Delta C = \frac{C2 - C1}{C1} \times 100\%$ <p style="margin-left: 20px;">C1: Capacitance at step c C2: Capacitance at step b or d</p>	Step	Temperature(°C)	a	25±2	b	Lower temperature±3°C	c	25±2	d	Upper Temperature±2°C	e	25±2	<p>X6S: $\Delta C/C: \pm 22\%$</p>
Step	Temperature(°C)														
a	25±2														
b	Lower temperature±3°C														
c	25±2														
d	Upper Temperature±2°C														
e	25±2														
<p>Adhesion</p>	<p>IEC 60384-21/22 4.7</p>	<p>A force applied for 10 seconds to the line joining the terminations and in a plane parallel to the substrate</p>	<p>Force size ≥ 0603: 5N size = 0402: 2.5N size = 0201: 1N</p>												
<p>Bending Strength</p>	<p>IEC 60384-21/22 4.8</p>	<p>Mounting in accordance with IEC 60384-22 paragraph 4.3</p> <p style="margin-left: 20px;">Conditions: bending 1 mm at a rate of 1 mm/s, radius jig 5 mm</p>	<p>No visible damage</p> <p style="margin-left: 20px;">$\Delta C/C$ X6S: $\pm 10\%$</p>												

TEST	TEST METHOD	PROCEDURE	REQUIREMENTS
Resistance to Soldering Heat	IEC 60384-21/22 4.9	<p>Precondition: 150 +0/-10 °C for 1 hour, then keep for 24 ± 1 hours at room temperature</p> <p>Preheating: for size ≤ 1206: 120 °C to 150 °C for 1 minute</p> <p>Preheating: for size > 1206: 100 °C to 120 °C for 1 minute and 170 °C to 200 °C for 1 minute</p> <p>Solder bath temperature: 260 ± 5 °C</p> <p>Dipping time: 10 ± 0.5 seconds</p> <p>Recovery time: 24 ± 2 hours</p>	<p>Dissolution of the end face plating shall not exceed 25% of the length of the edge concerned</p> <hr/> <p>ΔC/C X6S: ± 10%</p> <hr/> <p>D.F. within initial specified value R_{ins} within initial specified value</p>
Solderability	IEC 60384-21/22 4.10	<p>Preheated the temperature of 80 °C to 140 °C and maintained for 30 seconds to 60 seconds.</p> <p>1. Temperature: 235±5°C / Dipping time: 2 ± 0.5 s</p> <p>2. Temperature: 245±5°C / Dipping time: 3 ± 0.5 s (lead free)</p> <p>Depth of immersion: 10mm</p>	<p>The solder should cover over 95% of the critical area of each termination</p>
Rapid Change of Temperature	IEC 60384-21/22 4.11	<p>Preconditioning: 150 +0/-10 °C for 1 hour, then keep for 24 ± 1 hours at room temperature</p> <p>5 cycles with following detail: 30 minutes at lower category temperature 30 minutes at upper category temperature</p> <p>Recovery time 24 ± 2 hours</p>	<p>No visual damage</p> <hr/> <p>ΔC/C X6S: ± 15%</p> <hr/> <p>D.F. meet initial specified value R_{ins} meet initial specified value</p>

TEST	TEST METHOD	PROCEDURE	REQUIREMENTS
Damp Heat with U_r Load	IEC 60384-21/22 4.13	1. Preconditioning, class 2 only: 150 +0/-10 °C /1 hour, then keep for 24 ±1 hour at room temp 2. Initial measure: Spec: refer to initial spec C, D, IR 3. Damp heat test: 500 ±12 hours at 40 ±2 °C; 90 to 95% R.H. 1.0 U_r applied 4. Recovery: Class 2: 24 ±2 hours 5. Final measure: C, D, IR P.S. If the capacitance value is less than the minimum value permitted, then after the other measurements have been made the capacitor shall be preconditioned according to "IEC 60384 4.1" and then the requirements shall be met.	No visual damage after recovery <hr/> $\Delta C/C$ $\pm 20\%$ D.F. 2 x initial value max R_{ins} $R_{ins} \times C_r \geq 5s$
Endurance	IEC 60384-21/22 4.14	1. Preconditioning, class 2 only: 150 +0/-10 °C /1 hour, then keep for 24 ±1 hour at room temp 2. Initial measure: Spec: refer to initial spec C, D, IR 3. Endurance test: Temperature: X6S: 105 °C Specified stress voltage applied for 1,000 hours: Applied 1.5 x U_r : Applied 1 U_r : 0201: 1uF 0402: 4.7uF, 10uF 0603: 10uF, 22uF 0805: 10uF/ 25V, 22uF/ 10V to 16V, 47uF/6.3V Recovery time: 24 ±2 hours 4. Final measure: C, D, IR P.S. If the capacitance value is less than the minimum value permitted, then after the other measurements have been made the capacitor shall be preconditioned according to "IEC 60384 4.1" and then the requirements shall be met.	No visual damage <hr/> $\Delta C/C$ $\pm 20\%$ D.F. 2 x initial value max R_{ins} $R_{ins} \times C_r \geq 10s$
Voltage Proof	IEC 60384-1 4.6	Specified stress voltage applied for 1~5 seconds $U_r \leq 100 V$: series applied 2.5 U_r Charge/Discharge current is less than 50 mA	No breakdown or flashover

REVISION HISTORY

REVISION	DATE	CHANGE NOTIFICATION	DESCRIPTION
Version 9	Apr. 9, 2026	-	- Add 0603/10V/100nF to 470nF
Version 8	Dec. 9, 2025	-	- Add 0402/6.3V/10uF - Add 0402/16V/2.2uF - Add 0402/25V/1uF - Add 0603/10V/4.7uF to 10uF - Add 0603/16V/4.7uF to 10uF - Add 0603/25V/2.2uF - Add 0603/50V/1uF - Add 0805/6.3V/47uF - Add 0805/10V/22uF - Add 0805/16V/22uF - Add 0805/25V/10uF
Version 7	Feb. 07, 2023	-	- Product range updated
Version 6	Jan. 20, 2021	-	- Product range updated
Version 5	Jun. 2, 2020	-	- Product range updated
Version 4	Aug 7, 2017	-	- 0402 Dimension update
Version 3	Jul 19, 2017	-	- Product range updated
Version 2	Feb. 20, 2017	-	- Dimension & capacitance update
Version 1	Sep. 16, 2015	-	- Dimension & capacitance update
Version 0	Nov. 18, 2014	-	- New datasheet for general purpose High Cap X6S

LEGAL DISCLAIMER

YAGEO, its distributors and agents (collectively, "YAGEO"), hereby disclaims any and all liabilities for any errors, inaccuracies or incompleteness contained in any product related information, including but not limited to product specifications, datasheets, pictures and/or graphics. YAGEO may make changes, modifications and/or improvements to product related information at any time and without notice.

YAGEO makes no representation, warranty, and/or guarantee about the fitness of its products for any particular purpose or the continuing production of any of its products. To the maximum extent permitted by law, YAGEO disclaims (i) any and all liability arising out of the application or use of any YAGEO product, (ii) any and all liability, including without limitation special, consequential or incidental damages, and (iii) any and all implied warranties, including warranties of fitness for a particular purpose, non-infringement and merchantability.

YAGEO products are designed for general purpose applications under normal operation and usage conditions. Please contact YAGEO for the applications listed below which require especially high reliability for the prevention of defects which might directly cause damage to the third party's life, body or property: Aerospace equipment (artificial satellite, rocket, etc.), Atomic energy-related equipment, Aviation equipment, Disaster prevention equipment, crime prevention equipment, Electric heating apparatus, burning equipment, Highly public information network equipment, data-processing equipment, Medical devices, Military equipment, Power generation control equipment, Safety equipment, Traffic signal equipment, Transportation equipment and Undersea equipment, or for any other application or use in which the failure of YAGEO products could result in personal injury or death, or serious property damage. Particularly **YAGEO Corporation and its affiliates do not recommend the use of commercial, automotive, and/or COTS grade products for high reliability applications or manned space flight.**

Information provided here is intended to indicate product specifications only. YAGEO reserves all the rights for revising this content without further notification, as long as products are unchanged. Any product change will be announced by PCN.