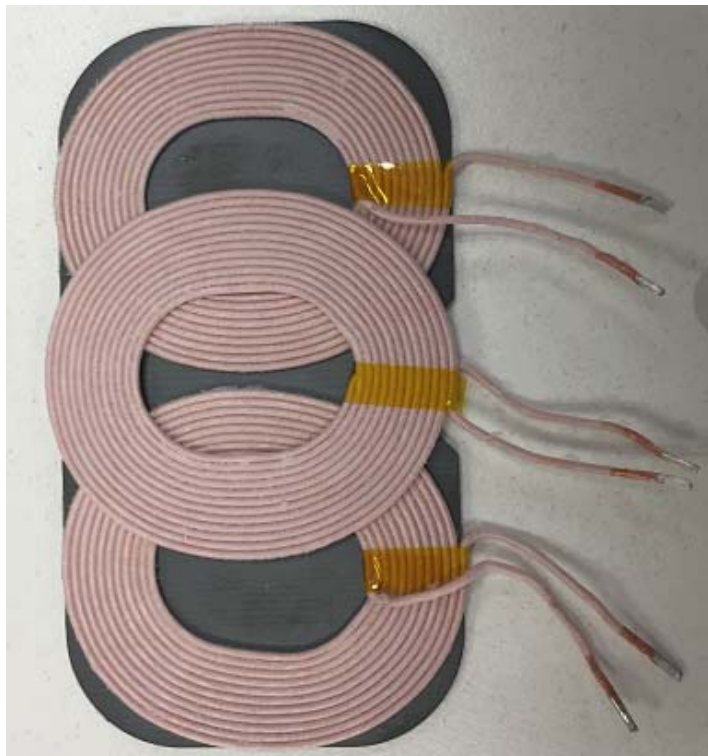


Qi Standard MP-A9 Triple Transmit Wireless Charge Coil

Pulse Part Number SWM1390

V02

Features



- Magnetic Coil: antifreeze plate + coil
- Meet the Qi international standard
- Antifreeze film of transmitter is injection molding ,make use of V-ON material, unzerbrechlich, breakage proof, every shape suitable
- Length and gap of the outgoing line is customizability

Application

- Mobile devices wireless charge TX

Contact: mobiledeviceantenna.sales@pulseelectronics.com

QI Standard MP-A9 Triple Transmit Wireless Charge Coil

Pulse Part Number SWM1390

V02

Electrical specifications

Standard Voltage(V)	1-25V
Max Current (A)	2A
DC Resistance (mΩ)	60±10%
Inductance(uH)	Top:9.8+/-10% Bottom:10.2+/-10%
Rs (mΩ)	≤80
Q	>80
Wire Diameter (mm)	0.06*200 strands cotton-insulated wire
Testing Environment	100KHZ/1V

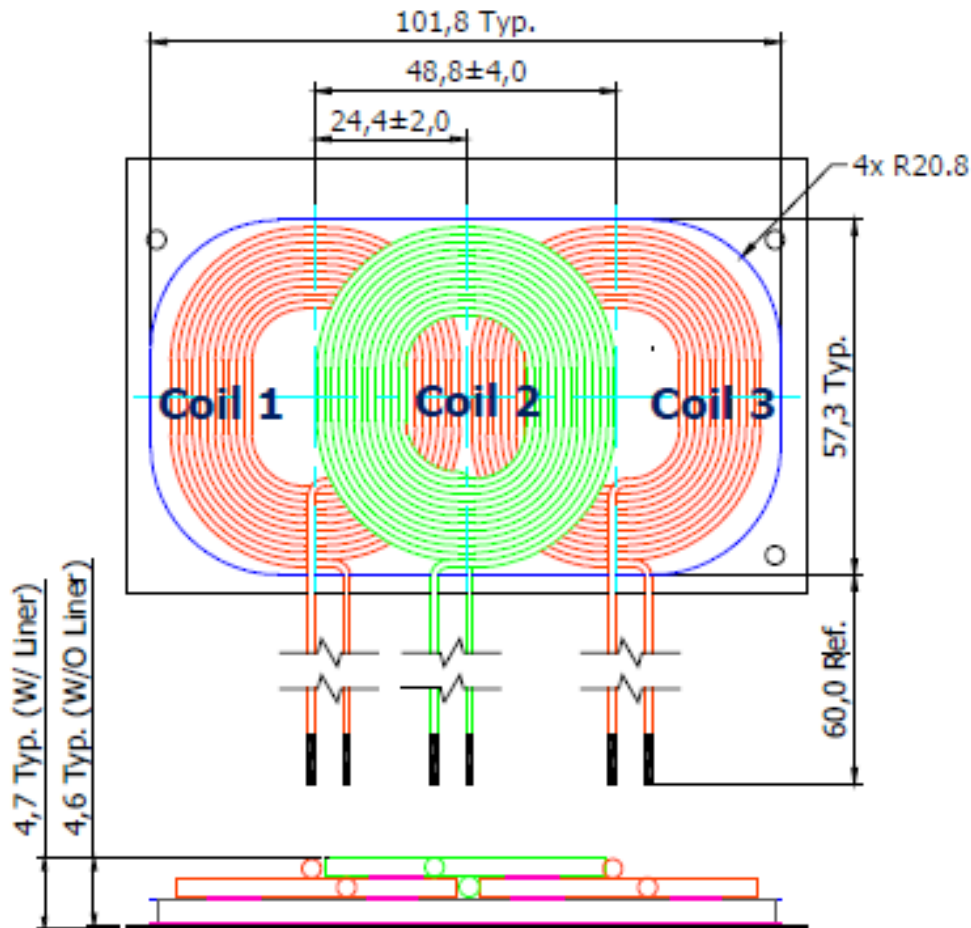
Contact: mobiledeviceantenna.sales@pulseelectronics.com

QI Standard MP-A9 Triple Transmit Wireless Charge Coil

Pulse Part Number SWM1390

V02

Mechanical dimensions: mm



WINDING DETAILS

Wdy.NO. 绕组	Star 开始	Finish 结束	Turns 圈数	Wire Diameter 线径	Wdg.Type 绕线方法	Wdg.Direction 绕线方向	Turns/Layer 层数/每层圈数
Top	S	T	12T	0.06*200	1 Layer Tight	anticlockwise	1 layer/ 12TS
Bottom	S	T	11T	0.06*200	1 Layer Tight	anticlockwise	1 layer/ 12TS

Contact: mobiledeviceantenna.sales@pulseelectronics.com

QI Standard MP-A9 Triple Transmit Wireless Charge Coil

Pulse Part Number SWM1390

V02

Packing

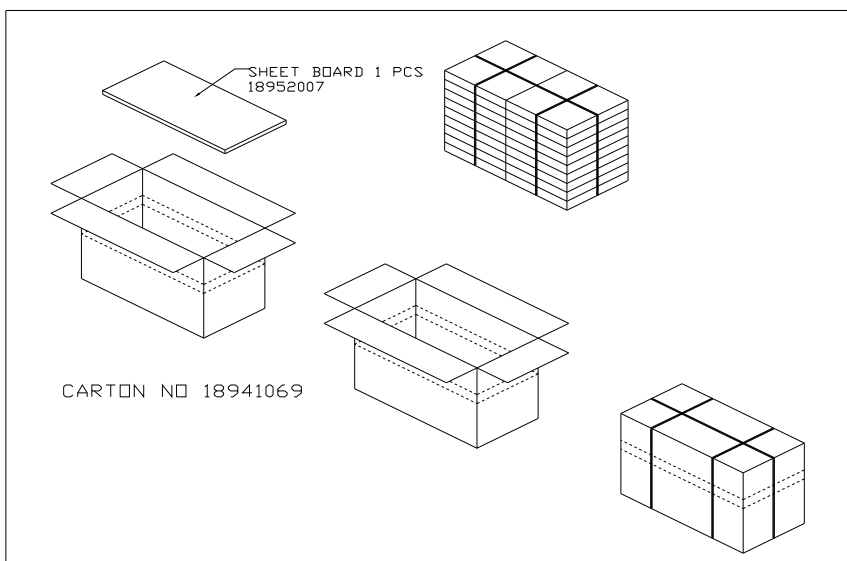
- Put 1pc product in the poly bag, then add the info label.
- Align the finished goods into the tray.
- Cardboard sheet under and on the top of the tray stack in the tray stack. Every second tray must be rotated 180 degrees, binding of the stack-1 strap lengthwise and 2 strap crosswise.
- Add foam paper between two trays.
- First put down 1pc sheet board in box, then put binding tray in box, empty 1 pc on the top of the box.
- Binding of the carton: scaled with tape, 1 strap length wise and 2 strap crosswise.



Label content:

P/N:
Project Name:
Inductance:

- P/N, e.g. SWA1380
- Project Name, e.g. A6
- Wireless Charge Coil
- Inductance, e.g. 12.5uH



Contact: mobiledeviceantenna.sales@pulseelectronics.com