

RJ45 Connectors, Side-Entry, Pin-in-Paste

E5J88-4xxHS4-LT



- Ⓢ Small footprint – increase PCB real estate.
- Ⓢ 1x1 and 1x2 design for Ethernet 100/1000 or RS232/485
- Ⓢ Support PoE currents up to 1.2Amp per channel
- Ⓢ Bi-Colour LEDs for indicating operating mode
- Ⓢ Rugged Design for -40 to +85°C operations
- Ⓢ Wave 260°C pk or Reflow solderable 245°C pk
- Ⓢ Tape and Reel option for automatic PnP processing

Electrical Specifications @ 25°C - Operating Temperature -40°C to +85°C⁴

Part Number	Number of Ports	Tab Type	LED Color	Voltage Rating	Current Rating	Contact Resistance (Max)
E5J88-44LHS4-LT	1	Top Tabs and Side Tabs	LED1: Green+Yellow LED2: Green+Yellow	125 Vrms	1.5A	30 mΩ
E5J88-44AHS4-LT	2					
E5J88-41LHS4-LT	1	No Tabs				
E5J88-41AHS4-LT	2					

RJ45 Material Specification

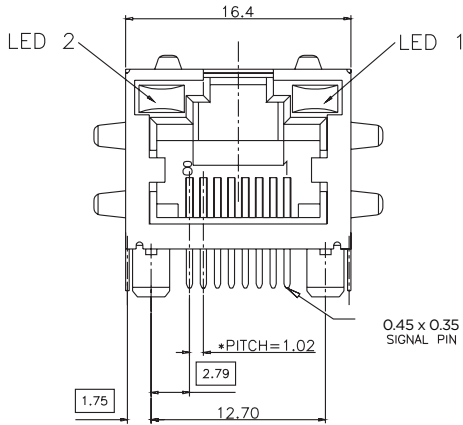
Part Number	Shield		Contact			Housing	
	Material	Finish	Material	Plating Area	Solder Area	Material	Specification
E5J88-4xxLHS4-LT	Copper Alloy	Ni Plating	Phosphor Bronze	Gold Plating 0.76 microns min	Tin matte finish	Thermoplastic	UL 94 V-0

Notes:

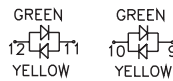
1. Insulation Resistance of all parts is 1000 MΩ Min at 500 Vdc.
2. LED Ratings: Forward Voltage: 2.2V typical, Reverse Voltage: 5V Min, Forward Current: 10mA to 20mA
3. Operating Cycles: 750 minimum.
4. Storage Temperature: -40°C to 85°C
5. Plug retention force: 5KG minimum when fully seated in jack.

Mechanicals

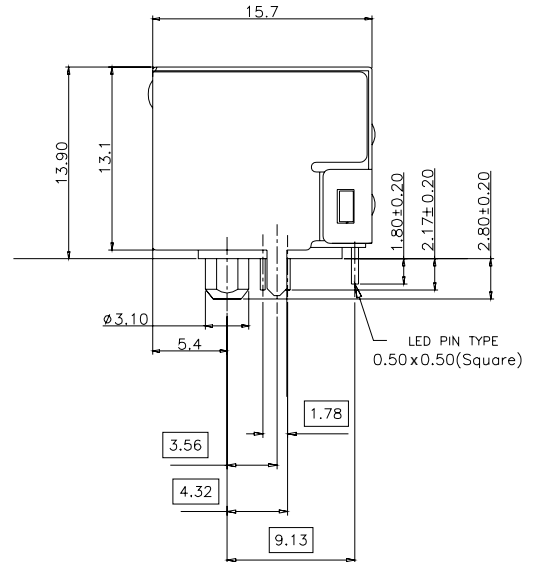
Single Port, E5J88-4xLHS4-LT



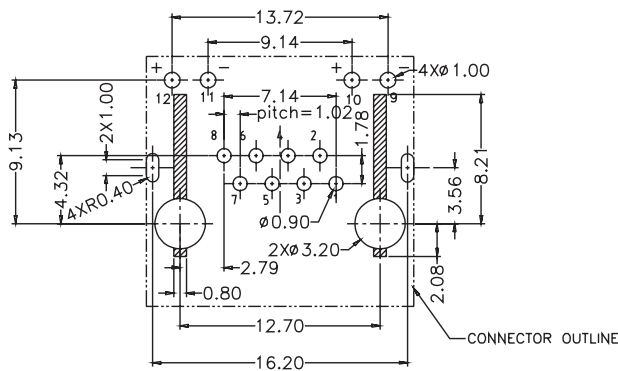
LED Left - Right



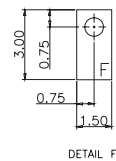
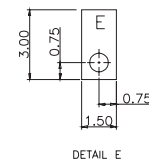
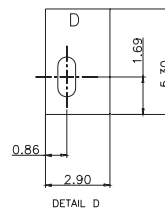
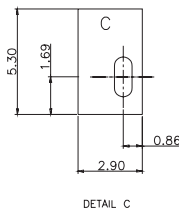
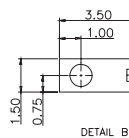
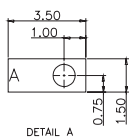
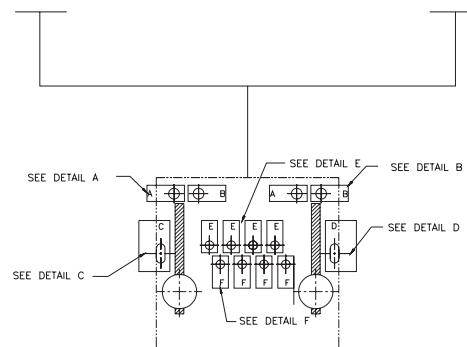
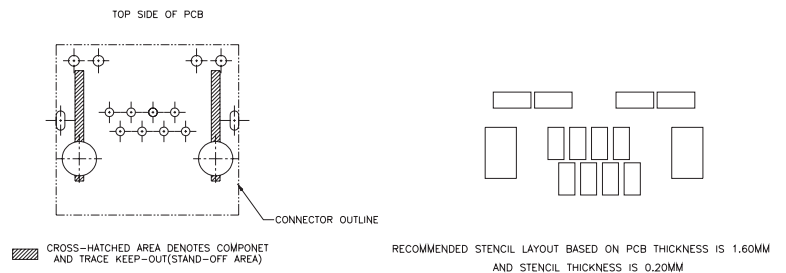
FOR P/N: E5J88-44LHSX-LT



PCB LAYOUT and SUGGESTED SOULDER PAD SIZE



PC BOARD LAYOUT (t=1.60mm)
COMPONENT SIDE SHOWN
TOLERANCES ± 0.05mm

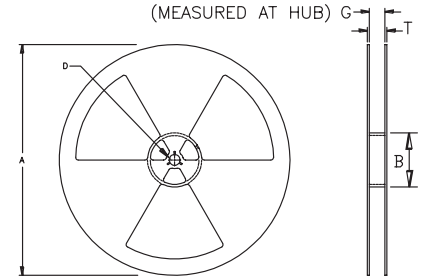
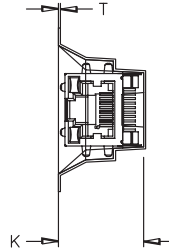
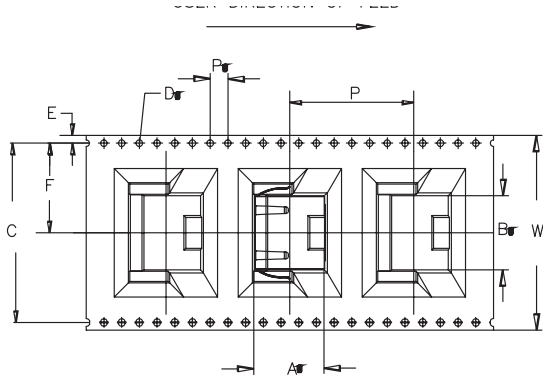


RJ45 Connectors, Side-Entry, Pin-in-Paste

E5J88-4xxHS4-LT

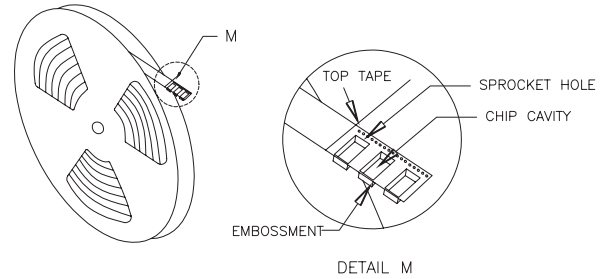
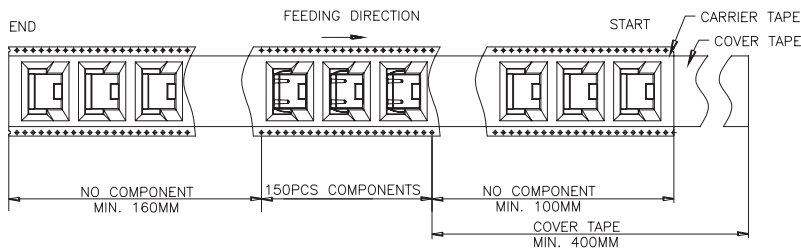
Tape and Reel

Single Port, E5J88-4xHS4-LT



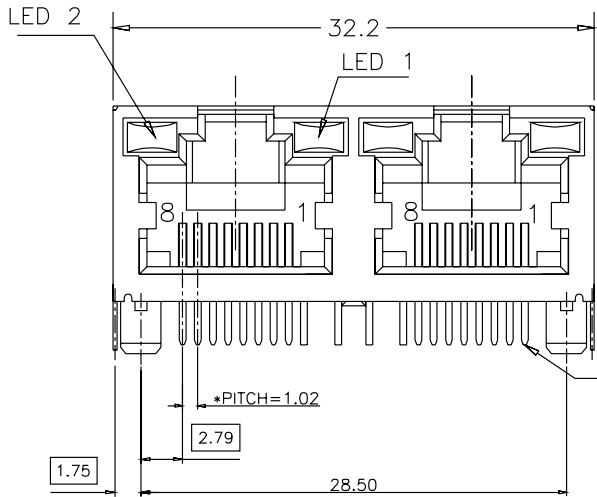
Type	W	P	A ₀	B ₀	K	T	C	D ₀	E	F	P ₀
Dim	44	28	16.10	21.99	19.25	0.50	40.40	1.5	1.75	20.20	4.0

	A	B	D	T	G	G
Tolerance		MIN.	MIN.	MAX.	MIN.	MAX.
Tape Width(mm)	381.0	100.0	21.5	50.4	44.4	46.4

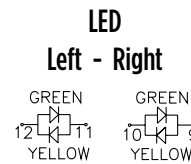
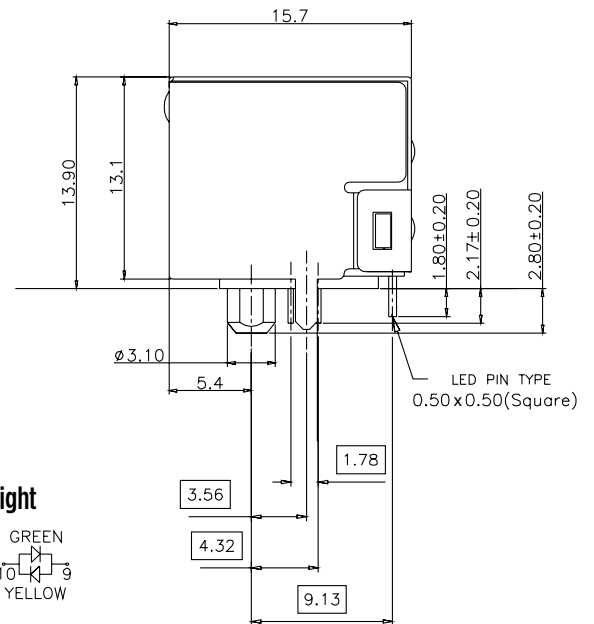


Mechanicals

Dual Port, E5J88-4xHS4-LT

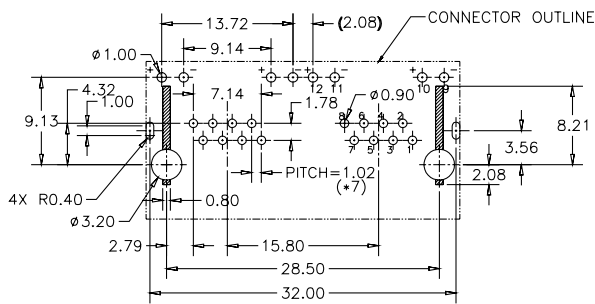


0.45 x 0.35
SIGNAL PIN



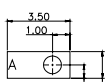
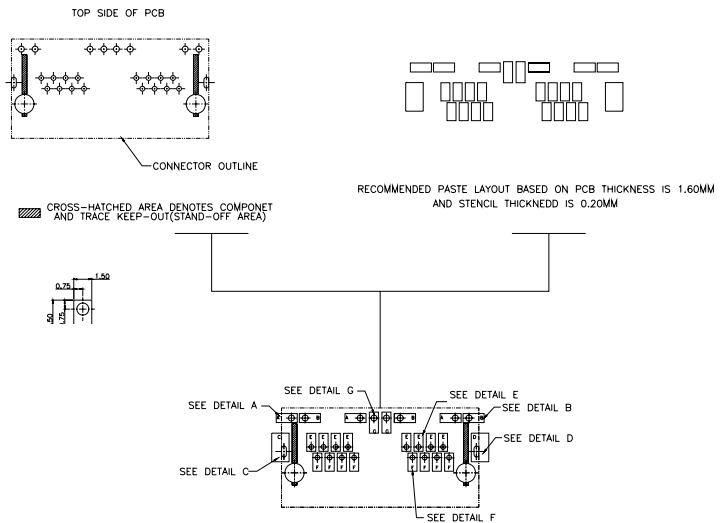
FOR P/N: E5J88-41AHSX-LT

PCB LAYOUT and SUGGESTED SOULDER PAD SIZE

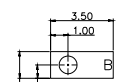


PC BOARD LAYOUT T=1.60mm
COMPONENT SIDE SHOWN
TOLERANCES ± 0.05mm

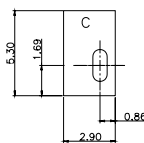
CROSS-HATCHED AREA DENOTES COMPONENT AND TRACE KEEP-OUT (STAND-OFF AREA)



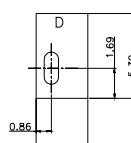
DETAIL A
SCALE 2:1



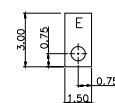
DETAIL B
SCALE 2:1



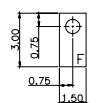
DETAIL C
SCALE 2:1



DETAIL D
SCALE 2:1



DETAIL E
SCALE 2:1



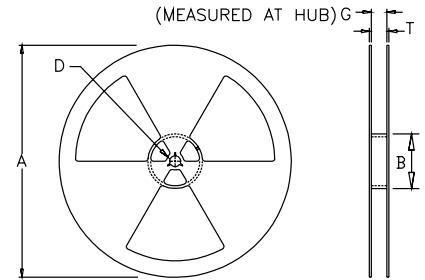
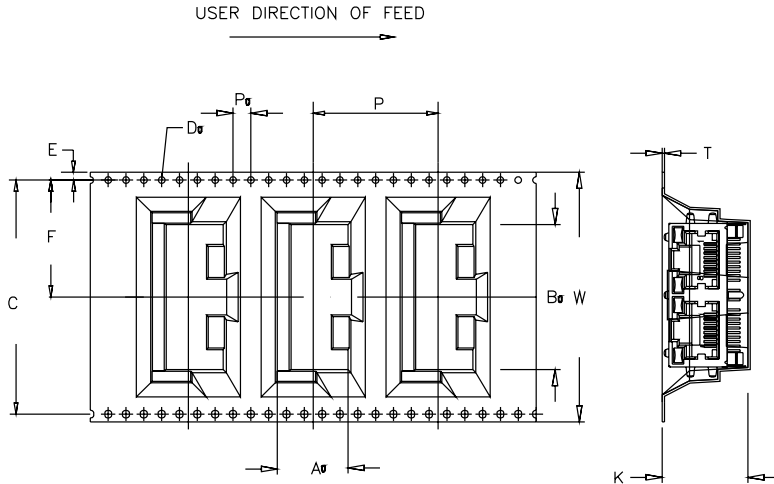
DETAIL F
SCALE 2:1

RJ45 Connectors, Side-Entry, Pin-in-Paste

E5J88-4xxHS4-LT

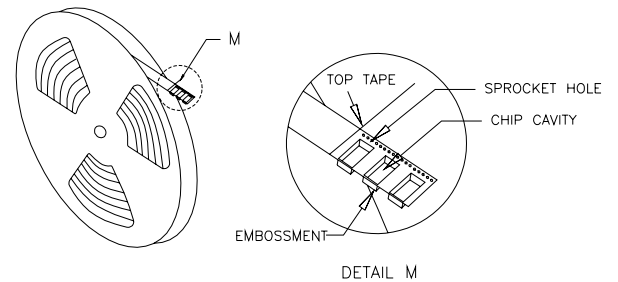
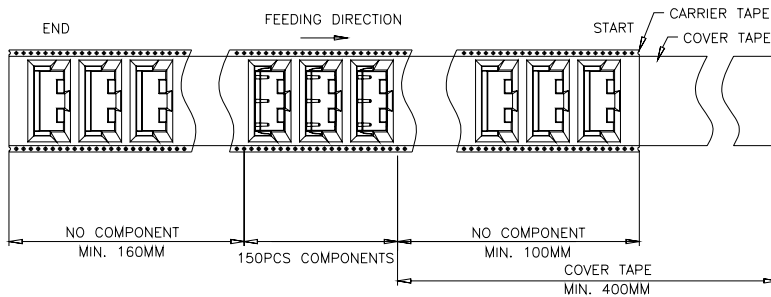
Tape and Reel

Dual Port, E5J88-4xHS4-LT



Type	W	P	A ₀	B ₀	K	T	C	D ₀	E	F	P ₀
Dim	56	28	16	37.79	19.25	0.50	52.50	1.5	1.75	26.25	4.0

	A	B	D	T	G	G
Tolerance		MIN.	MIN.	MAX.	MIN.	MAX.
Tape Width(mm)	381.0	100.0	21.5	62.4	56.4	58.4



For More Information:

Americas - prodinfo_network_americas@pulseelectronics.com | Europe - prodinfo_network_emea@pulseelectronics.com | Asia - prodinfo_network_asia@pulseelectronics.com

Performance warranty of products offered on this data sheet is limited to the parameters specified. Data is subject to change without notice. Other brand and product names mentioned herein may be trademarks or registered trademarks of their respective owners. © Copyright, 2020. Pulse Electronics, Inc. All rights reserved.