

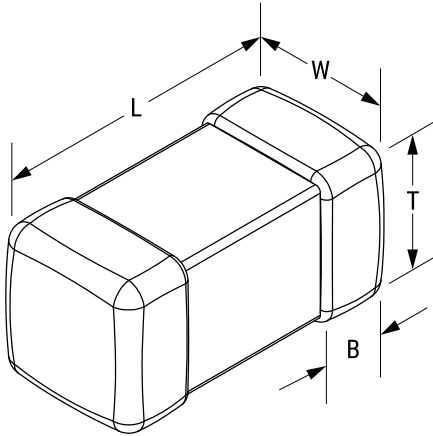
Z0805C800BPWZT

Aliases (Z0805C800BPWZT)

Obsolete

Scheduled EOL - Last date to buy 30 JUN 2023

EMI Suppression, KEMET, Z-PWZ, SMD Chip, Noise Suppression



Click [here](#) for the 3D model.

General Information

Series	Z-PWZ
Style	SMD Chip
Description	Chip Bead, Power Line
Features	For MHz Range Applications
RoHS	Yes

Dimensions

L	2mm +/-0.2mm
W	1.25mm +/-0.2mm
T	0.85mm +/-0.2mm
B	0.5mm +/-0.3mm

Packaging Specifications

Packaging	T&R
Packaging Quantity	4000

Specifications

Impedance	80 Ohms (100 MHz)
Impedance Tolerance	25%
Ripple Current	2700 mA (MAX)
Temperature Range	-40/+125°C
DC Resistance	0.025 Ohms

Statements of suitability for certain applications are based on our knowledge of typical operating conditions for such applications, but are not intended to constitute - and we specifically disclaim - any warranty concerning suitability for a specific customer application or use. This Information is intended for use only by customers who have the requisite experience and capability to determine the correct products for their application. Any technical advice inferred from this Information or otherwise provided by us with reference to the use of our products is given gratis, and we assume no obligation or liability for the advice given or results obtained.