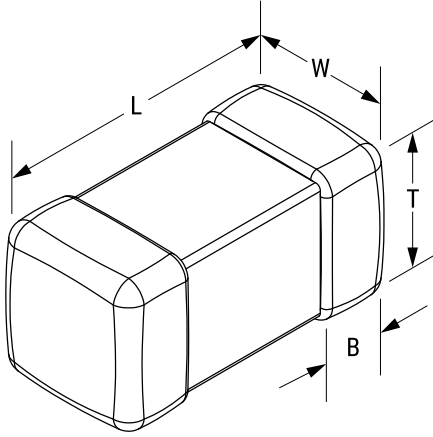


## Z0805C600APMST

Aliases (Z0805C600APMST)

Obsolete

EMI Suppression, KEMET, Z-PMS, SMD Chip, Noise Suppression



Click [here](#) for the 3D model.

### General Information

Series	Z-PMS
Style	SMD Chip
Description	Chip Bead, Power Line
Features	Suppresses The XL Component; Helps Stop The Reduction Of The Wave-Form Integrity
RoHS	Yes

### Dimensions

L	2mm -3mm
W	1.25mm +/-0.2mm
T	0.85mm +/-0.2mm
B	0.5mm +/-0.3mm

### Packaging Specifications

Packaging	T&R
Packaging Quantity	4000

### Specifications

Impedance	60 Ohms (100 MHz)
Impedance Tolerance	25%
Ripple Current	3000 mA (MAX)
Temperature Range	-55/+85°C
DC Resistance	0.025 Ohms

Statements of suitability for certain applications are based on our knowledge of typical operating conditions for such applications, but are not intended to constitute - and we specifically disclaim - any warranty concerning suitability for a specific customer application or use. This Information is intended for use only by customers who have the requisite experience and capability to determine the correct products for their application. Any technical advice inferred from this Information or otherwise provided by us with reference to the use of our products is given gratis, and we assume no obligation or liability for the advice given or results obtained.