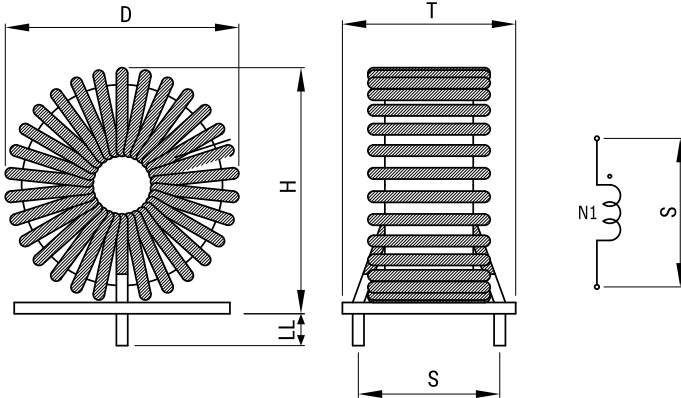


SN16P-400J

Aliases (UALSN16P400J00)

Differential Mode Chokes - Power, KEMET, SN-J, Through-Hole, Normal Mode, 108 uH



Click [here](#) for the 3D model.

General Information

| | |
|---------------|---------------------------------|
| Series | SN-J |
| Style | Through-Hole |
| RoHS | Yes |
| Miscellaneous | Temperature Rise Maximum: 45 K. |
| Core | Fe |

Dimensions

| | |
|-----------|--------------|
| D | 33mm MAX |
| T | 21mm MAX |
| H | 33.5mm MAX |
| LL | 4.5mm +/-1mm |
| S | 16mm NOM |
| Wire Size | 1.5mm |

Packaging Specifications

| | |
|--------------------------|--------|
| Packaging | Tray |
| Typical Component Weight | 44.9 g |

Specifications

| | |
|-------------------|------------|
| Inductance | 108 uH |
| Rated Current | 8 A |
| Temperature Range | -40/+120°C |
| DC Resistance | 0.027 Ohms |

Statements of suitability for certain applications are based on our knowledge of typical operating conditions for such applications, but are not intended to constitute - and we specifically disclaim - any warranty concerning suitability for a specific customer application or use. This Information is intended for use only by customers who have the requisite experience and capability to determine the correct products for their application. Any technical advice inferred from this Information or otherwise provided by us with reference to the use of our products is given gratis, and we assume no obligation or liability for the advice given or results obtained.