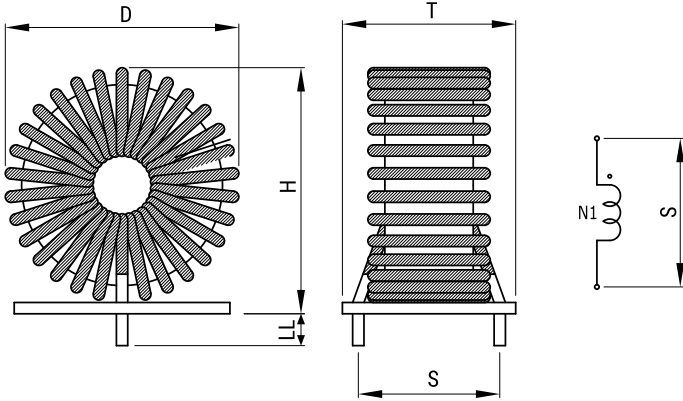


## SN14P-300J

Aliases (UALSN14P300J00)

Differential Mode Chokes - Power, KEMET, SN-J, Through-Hole, Normal Mode, 80 uH



Click [here](#) for the 3D model.

### General Information

Series	SN-J
Style	Through-Hole
RoHS	Yes
Miscellaneous	Temperature Rise Maximum: 77 K.
Core	Fe

### Dimensions

D	35mm MAX
T	25mm MAX
H	37mm MAX
LL	4.5mm +/-1mm
S	20mm NOM
Wire Size	1.6mm

### Packaging Specifications

Packaging	Tray
Typical Component Weight	56 g

### Specifications

Inductance	80 uH
Rated Current	15 A
Temperature Range	-40/+120°C
DC Resistance	0.015 Ohms

Statements of suitability for certain applications are based on our knowledge of typical operating conditions for such applications, but are not intended to constitute - and we specifically disclaim - any warranty concerning suitability for a specific customer application or use. This Information is intended for use only by customers who have the requisite experience and capability to determine the correct products for their application. Any technical advice inferred from this Information or otherwise provided by us with reference to the use of our products is given gratis, and we assume no obligation or liability for the advice given or results obtained.