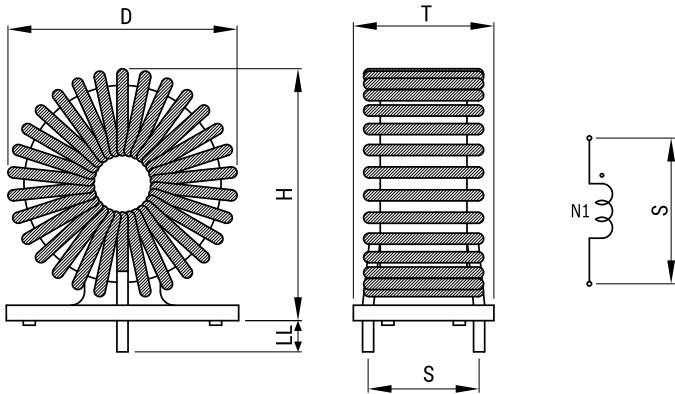


SN12-800J

Aliases (UALSN12800J000)

Differential Mode Chokes - Power, KEMET, SN-J, Through-Hole, Normal Mode, 270 uH



Click [here](#) for the 3D model.

General Information

Series	SN-J
Style	Through-Hole
RoHS	Yes
Miscellaneous	Temperature Rise Maximum: 45 K.
Core	Fe

Dimensions

D	29mm MAX
T	18mm MAX
H	29mm MAX
LL	7mm +/-2mm
S	10mm NOM
Wire Size	0.8mm

Packaging Specifications

Packaging	Tray
Typical Component Weight	19 g

Specifications

Inductance	270 uH
Rated Current	3 A
Temperature Range	-40/+105°C
DC Resistance	0.13 Ohms

Statements of suitability for certain applications are based on our knowledge of typical operating conditions for such applications, but are not intended to constitute - and we specifically disclaim - any warranty concerning suitability for a specific customer application or use. This Information is intended for use only by customers who have the requisite experience and capability to determine the correct products for their application. Any technical advice inferred from this Information or otherwise provided by us with reference to the use of our products is given gratis, and we assume no obligation or liability for the advice given or results obtained.