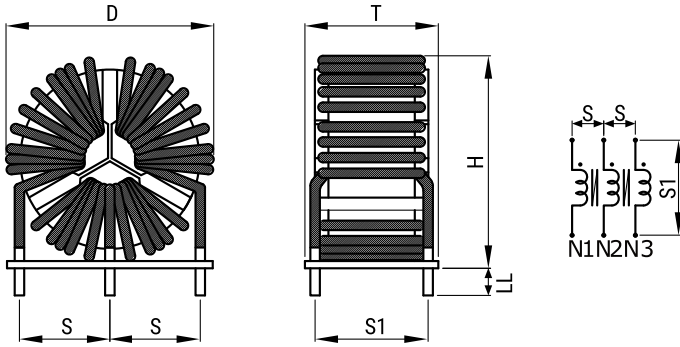


SC-20-SE10J

Aliases (UALSC20SE10J00)

Common Mode Chokes - Power, KEMET, SC Three Phase, Through-Hole, Common Mode, 940 uH



Click [here](#) for the 3D model.

General Information

Series	SC Three Phase
Style	Through-Hole
Features	High Impedance
RoHS	Yes
Notes	Lead Spacing (S/S1) Are For Reference Only.
Miscellaneous	Temperature Rise Maximum: 90 K.
Core	Mn-Zn Ferrite

Dimensions

D	49mm MAX
T	30mm MAX
H	51mm MAX
LL	5mm +/-1mm
S	20mm NOM
S1	25mm NOM
Wire Size	1.8mm

Specifications

Voltage AC	250 VAC
Voltage DC	250 VDC
Inductance	0.94 mH
Rated Current	20 A
Temperature Range	-25/+120°C
DC Resistance	7 mOhms

Packaging Specifications

Packaging	Tray
Packaging Quantity	60
Typical Component Weight	113 g

Statements of suitability for certain applications are based on our knowledge of typical operating conditions for such applications, but are not intended to constitute - and we specifically disclaim - any warranty concerning suitability for a specific customer application or use. This Information is intended for use only by customers who have the requisite experience and capability to determine the correct products for their application. Any technical advice inferred from this Information or otherwise provided by us with reference to the use of our products is given gratis, and we assume no obligation or liability for the advice given or results obtained.