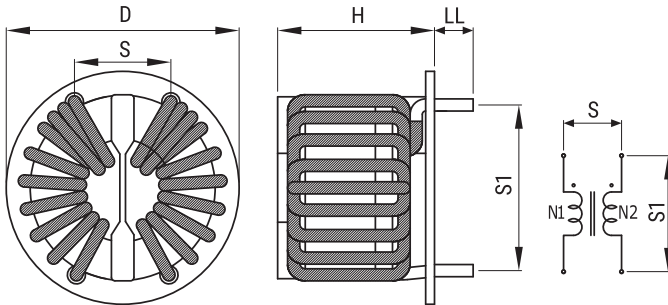


SC-18-E15JH

Aliases (UALSC18E15JH00)

Common Mode Chokes - Power, KEMET, SC-JH, Through-Hole, Common Mode, 1,500 uH



Click [here](#) for the 3D model.

General Information

Series	SC-JH
Style	Through-Hole
RoHS	Yes
Notes	Lead Spacing (S/S1) Are For Reference Only.
Miscellaneous	Temperature Rise Maximum: 55 K.
Core	Mn-Zn Ferrite

Dimensions

D	51mm MAX
H	34mm MAX
LL	5mm +/-2mm
S	26mm NOM
S1	30mm NOM
Wire Size	1.9mm

Specifications

Voltage AC	250 VAC
Inductance	1.5 mH
Rated Current	18 A
Temperature Range	-40/+120°C
DC Resistance	10 mOhms

Packaging Specifications

Packaging	Tray
Packaging Quantity	100
Typical Component Weight	114 g

Statements of suitability for certain applications are based on our knowledge of typical operating conditions for such applications, but are not intended to constitute - and we specifically disclaim - any warranty concerning suitability for a specific customer application or use. This Information is intended for use only by customers who have the requisite experience and capability to determine the correct products for their application. Any technical advice inferred from this Information or otherwise provided by us with reference to the use of our products is given gratis, and we assume no obligation or liability for the advice given or results obtained.