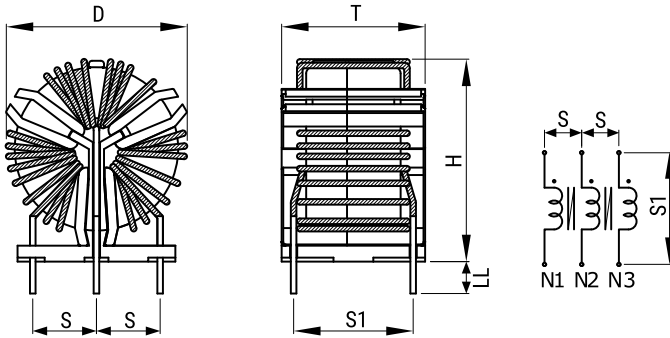


## SC-01-S07J

Aliases (UALSC01S07J000)

Common Mode Chokes - Power, KEMET, SC Three Phase, Through-Hole, Common Mode, 700 uH



Click [here](#) for the 3D model.

### General Information

Series	SC Three Phase
Style	Through-Hole
Features	High Impedance
RoHS	Yes
Notes	Lead Spacing (S/S1) Are For Reference Only.
Miscellaneous	Temperature Rise Maximum: 15 K.
Core	Mn-Zn Ferrite

### Dimensions

D	24.5mm MAX
T	22mm MAX
H	27.5mm MAX
LL	3.8mm +/-1mm
S	8mm NOM
S1	15mm NOM
Wire Size	0.5mm

### Specifications

Voltage AC	250 VAC
Voltage DC	250 VDC
Inductance	0.7 mH
Rated Current	1 A
Temperature Range	-25/+120°C
DC Resistance	38 mOhms

### Packaging Specifications

Packaging	Tray
Packaging Quantity	200
Typical Component Weight	16.1 g

Statements of suitability for certain applications are based on our knowledge of typical operating conditions for such applications, but are not intended to constitute - and we specifically disclaim - any warranty concerning suitability for a specific customer application or use. This Information is intended for use only by customers who have the requisite experience and capability to determine the correct products for their application. Any technical advice inferred from this Information or otherwise provided by us with reference to the use of our products is given gratis, and we assume no obligation or liability for the advice given or results obtained.