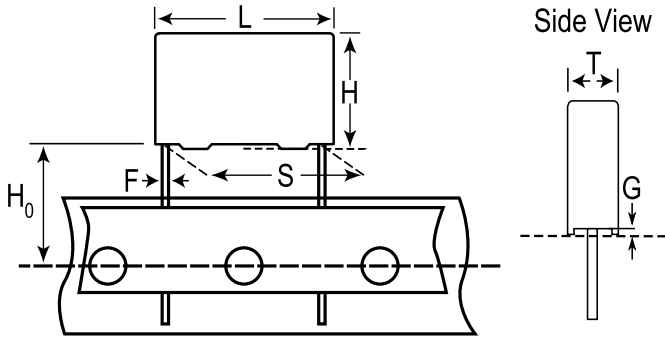


PME295RB4220MR19T0

Aliases (P295BJ222M440L)

PME295/P295, Film, Metallized Paper, Safety, 2,200 pF, 20%, 1,500 VDC, 440 VAC (Y1) (ENEC), 480 VAC (UL, cUL), 115°C, 15 mm



Click [here](#) for the 3D model.

General Information

Series	PME295/P295
Dielectric	Metallized Paper
Style	Radial
Features	EMI Safety
RoHS	Yes
Termination	Tinned Wire
Lead	Wire Leads
Safety Class	Y1
Qualifications	ENEC, UL, cUL, CQC
Typical Component Weight	2.7 g
Miscellaneous	SRF= 33 MHz.

Dimensions

L	18mm MAX
H	12.5mm MAX
T	6.5mm MAX
S	15mm +/-0.4mm
H ₀	18.5mm +/-0.5mm
F	0.8mm +/-0.05mm
G	0.5mm NOM

Packaging Specifications

Packaging	T&R
Packaging Quantity	400

Specifications

Capacitance	2,200 pF
Tolerance	20%
Voltage DC	1500 VDC
Voltage AC	440 VAC (Y1) (ENEC), 480 VAC (UL, cUL)
Temperature Range	-40/+115°C
Rated Temperature	115°C
Dissipation Factor	1.3% 1kHz
Insulation Resistance	12 GOhms
Max dV/dt	2,000 V/us

Statements of suitability for certain applications are based on our knowledge of typical operating conditions for such applications, but are not intended to constitute - and we specifically disclaim - any warranty concerning suitability for a specific customer application or use. This Information is intended for use only by customers who have the requisite experience and capability to determine the correct products for their application. Any technical advice inferred from this Information or otherwise provided by us with reference to the use of our products is given gratis, and we assume no obligation or liability for the advice given or results obtained.