

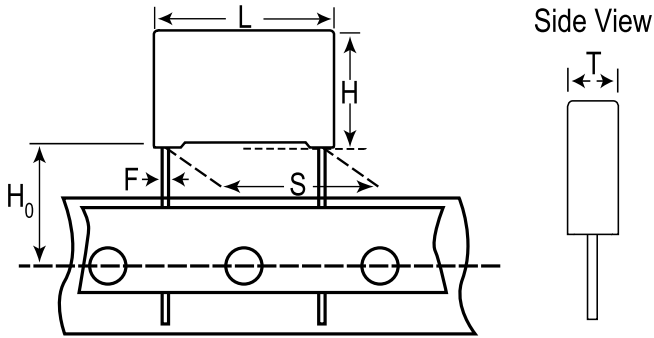
PHE840MX6220MB06R17T0

Aliases (F840BL224M275L)

Not for New Design

Recommended Replacement Series R46 X2 310 VAC

PHE840M/F840, Film, Metallized Polypropylene, Safety, 0.22 uF, 20%, 760 VDC, 275 VAC (X2), 105°C, 15 mm



Click [here](#) for the 3D model.

General Information

Series	PHE840M/F840
Dielectric	Metallized Polypropylene
Style	Radial
Features	EMI Safety
RoHS	Yes
Termination	Tinned Wire
Lead	Wire Leads
Safety Class	X2
Qualifications	ENEC, UL, cUL
Typical Component Weight	2.578 g
Notes	Not for new design – the replacement series is: R46 X2 310VAC.

Dimensions	
L	18mm MAX
H	14.5mm MAX
T	7.5mm MAX
S	15mm +0.6/-0.1mm
H ₀	17mm NOM
F	0.8mm NOM

Specifications	
Capacitance	0.22 uF
Tolerance	20%
Voltage DC	760 VDC
Voltage AC	275 VAC (X2)
Temperature Range	-55/+105°C
Rated Temperature	105°C
Dissipation Factor	0.1% 1kHz, 0.4% 10kHz
Insulation Resistance	30 GOhms
Max dV/dt	100 V/us

Packaging Specifications	
Packaging	T&R
Packaging Quantity	400

Statements of suitability for certain applications are based on our knowledge of typical operating conditions for such applications, but are not intended to constitute – and we specifically disclaim – any warranty concerning suitability for a specific customer application or use. This Information is intended for use only by customers who have the requisite experience and capability to determine the correct products for their application. Any technical advice inferred from this Information or otherwise provided by us with reference to the use of our products is given gratis, and we assume no obligation or liability for the advice given or results obtained.