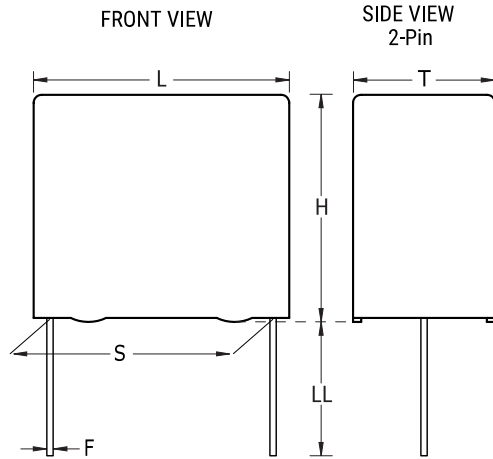


PHE820EB6100MR17

Aliases (F720BQ104M300A)

Obsolete

PHE820E/F720, Film, Metallized Polyester, Safety, 0.1 uF, 20%, 760 VDC, 300 VAC (X2), 100°C, 15 mm



Click [here](#) for the 3D model.

General Information

| | |
|--------------------------|--|
| Series | PHE820E/F720 |
| Dielectric | Metallized Polyester |
| Style | Radial |
| Features | EMI Safety |
| RoHS | Yes |
| Termination | Tinned Wire |
| Lead | Wire Leads |
| Safety Class | X2 |
| Qualifications | ENEC, UL, cUL |
| Typical Component Weight | 3.61 g |
| Miscellaneous | SRF= 4.5 MHz. |
| Notes | Not for new design - the replacement series is: R46 X2 310VAC. |

Dimensions

| | |
|----|---------------|
| L | 18mm MAX |
| H | 16mm MAX |
| T | 8.5mm MAX |
| S | 15mm +/-0.4mm |
| LL | 17mm -1mm |
| F | 0.8mm NOM |
| G | 0.5mm NOM |

Packaging Specifications

| | |
|--------------------|-----------|
| Packaging | Bulk, Bag |
| Packaging Quantity | 400 |

Specifications

| | |
|-----------------------|--------------|
| Capacitance | 0.1 uF |
| Tolerance | 20% |
| Voltage DC | 760 VDC |
| Voltage AC | 300 VAC (X2) |
| Temperature Range | -40/+100°C |
| Rated Temperature | 100°C |
| Dissipation Factor | 1% 1kHz |
| Insulation Resistance | 30 GOhms |
| Max dV/dt | 100 V/us |

Statements of suitability for certain applications are based on our knowledge of typical operating conditions for such applications, but are not intended to constitute - and we specifically disclaim - any warranty concerning suitability for a specific customer application or use. This Information is intended for use only by customers who have the requisite experience and capability to determine the correct products for their application. Any technical advice inferred from this Information or otherwise provided by us with reference to the use of our products is given gratis, and we assume no obligation or liability for the advice given or results obtained.