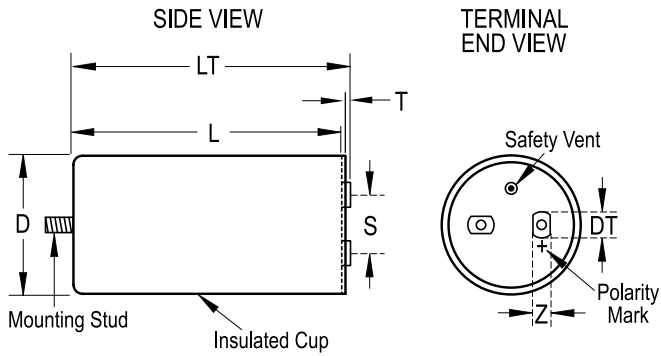


PEH200ZO418HMB2

Aliases (A451QM182M500A)

PEH200, Aluminum, Aluminum Electrolytic, 1,800 uF, 20%, 500 VDC, -40/+85°C, 28.5 mm



Click [here](#) for the 3D model.

General Information

| | |
|--------------------------|--|
| Series | PEH200 |
| Dielectric | Aluminum Electrolytic |
| Description | Screw Terminal, Aluminum Electrolytic |
| RoHS | Yes |
| Lead | Oval Threaded Inserts M5 |
| Mounting | Through-Hole |
| Optional Mounting | Stud |
| Halogen Free | Yes |
| Typical Component Weight | 415 g |
| Notes | Dimensions D And L Include Slewing. MS = M12x16. |
| Shelf Life | 156 Weeks |

Dimensions

| | |
|----|---------------|
| D | 66.6mm +/-1mm |
| L | 106mm +/-1mm |
| T | 3.8mm NOM |
| S | 28.5mm |
| DT | 15mm NOM |
| LT | 113mm +/-1mm |
| Z | 13mm NOM |

Packaging Specifications

| | |
|--------------------|-----------|
| Slewing | Yes |
| Packaging | Bulk, Bag |
| Packaging Quantity | 12 |

Specifications

| | |
|-------------------|---|
| Capacitance | 1,800 uF |
| Tolerance | 20% |
| Voltage DC | 500 VDC |
| Temperature Range | -40/+85°C |
| Rated Temperature | 85°C |
| Life | 15000 Hrs (Rated Voltage And Ripple Current At 85C) |
| ESR | 44 mOhms (100Hz 20C), 29 mOhms (100kHz 20C) |
| Ripple Current | 10.6 Amps (100Hz 85C), 40.9 Amps (10kHz 50C), 28.2 Amps (10kHz 40C) |
| Leakage Current | 6700 uA (5min 20°C) |
| Inductance | 16 nH (ESL) |

Statements of suitability for certain applications are based on our knowledge of typical operating conditions for such applications, but are not intended to constitute - and we specifically disclaim - any warranty concerning suitability for a specific customer application or use. This Information is intended for use only by customers who have the requisite experience and capability to determine the correct products for their application. Any technical advice inferred from this Information or otherwise provided by us with reference to the use of our products is given gratis, and we assume no obligation or liability for the advice given or results obtained.