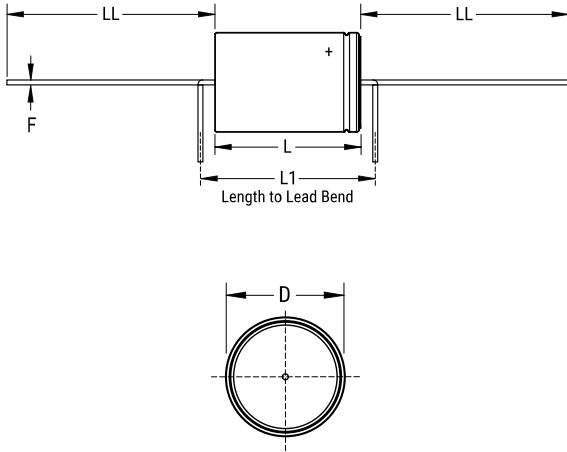


PEG130HJ4480QL1

Aliases (PEG130HJ4480Q)

Obsolete

Aluminum, Aluminum Electrolytic, 4,800 uF, -10/+30%, 25 VDC, -40/+105°C



Click [here](#) for the 3D model.

General Information

Dielectric	Aluminum Electrolytic
Style	Axial
Description	Long Life Axial Aluminum Electrolytic
Features	Long Life
RoHS	Yes
Lead	Wire Leads

Dimensions

D	20mm +/-0.5mm
---	---------------

Packaging Specifications

Packaging	Bulk, Bag
-----------	-----------

Specifications

Capacitance	4,800 uF
Tolerance	-10/+30%
Voltage DC	25 VDC
Temperature Range	-40/+105°C
Rated Temperature	105°C
Life	37000 Hrs

Statements of suitability for certain applications are based on our knowledge of typical operating conditions for such applications, but are not intended to constitute - and we specifically disclaim - any warranty concerning suitability for a specific customer application or use. This Information is intended for use only by customers who have the requisite experience and capability to determine the correct products for their application. Any technical advice inferred from this Information or otherwise provided by us with reference to the use of our products is given gratis, and we assume no obligation or liability for the advice given or results obtained.