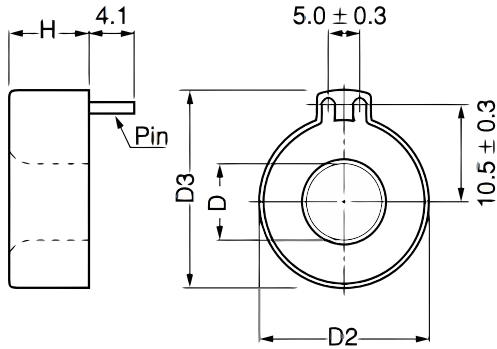


MR-1-P5

Aliases (USEZIP50000000)

KEMET, MR, Current, Round - Toroidal, Zero Phase Current, High Sensitivity, Compact



Click [here](#) for the 3D model.

General Information

Series	MR
Type	Current
Style	Round - Toroidal
Description	Zero-Phase Current Transformers
Features	High Sensitivity, Compact
Lead	2 Pin
RoHS	Yes
REACH	Yes
Notes	Measurement Conditions: f=60Hz, R=300 Ohms, I _o =22.5 mAmps

Dimensions

D	7.4mm MIN
H	8.5mm MAX
D2	19.3mm MAX
D3	21.8mm MAX
D4	8mm NOM

Packaging Specifications

Packaging	Tray
Packaging Quantity	1050
Typical Component Weight	4.3 g

Specifications

Temperature Range	-20/+80°C
Voltage DC	8 mV MIN (Output)
Current	30 Amps
ESR	25 Ohms
Miscellaneous	Overinput characteristics (After DC5A input) = 10% MAX.

Statements of suitability for certain applications are based on our knowledge of typical operating conditions for such applications, but are not intended to constitute - and we specifically disclaim - any warranty concerning suitability for a specific customer application or use. This Information is intended for use only by customers who have the requisite experience and capability to determine the correct products for their application. Any technical advice inferred from this Information or otherwise provided by us with reference to the use of our products is given gratis, and we assume no obligation or liability for the advice given or results obtained.