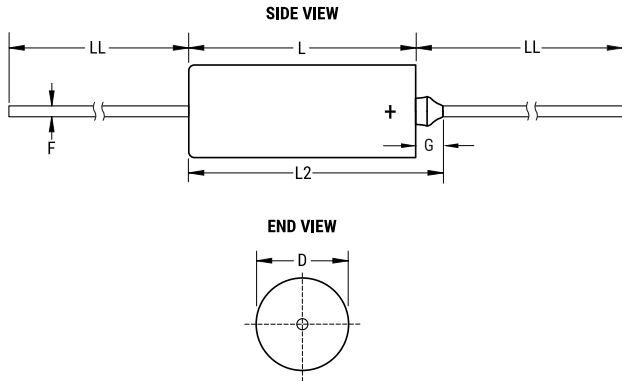


# M39003/09-4017B

Aliases (T262C127K010DS4251, M39003/09-4017B, CSR21C127KDB)

T262 CSR21, Tantalum, MnO2 Tantalum, Military/High Reliability, 120 uF, 10%, 10 VDC, 70 mOhms



Click [here](#) for the 3D model.

## General Information

Series	T262 CSR21
Dielectric	MnO2 Tantalum
Style	Axial Hermetic
Description	Axial, Solid Tantalum, Hermetically Sealed, Military, CSR21 Style
Features	Low ESR, High Current
RoHS	No
Prop 65	<b>WARNING:</b> Cancer and reproductive harm - <a href="https://www.p65warnings.ca.gov/">https://www.p65warnings.ca.gov/</a>
SCIP Number	bee1eed4-5fec-4214-9f43-620c5b22071f
Termination	Lead (SnPb)
Lead	Wire Leads
Construction	Hermetic
Miscellaneous	Ripple Current Rating Shown Is At 40Khz And 25C; ESR Is Per MIL-PRF-39003/9. Part Number Specifies Special Surge Testing Level B; See MIL-PRF-39003/9 For Further Information.
Notes	Dimensions Include Insulating Sleeve. Lead Length Shown Is For Parts Supplied With Bulk Packaging, When Supplied On T&R Or Ammo, Lead Length Is Determined By Taping Specification.

## Dimensions

D	7.34mm +/-0.25mm
L	17.42mm +/-0.79mm
L2	20.88mm
LL	38.1mm +/-6.35mm
F	0.64mm +/-0.05mm
G	3.46mm +0.79mm

## Packaging Specifications

Packaging	Tray
Packaging Quantity	20

## Specifications

Capacitance	120 uF
Tolerance	10%
Voltage DC	10 VDC (85C), 9 VDC (125C Surge), 0.1VDC (125C Reverse)
Temperature Range	-55/+125°C
Dissipation Factor	8% 1kHz 25C
Failure Rate	D (0.001%/1000 Hrs)
ESR	0.07 Ohms (100kHz)
Ripple Current	3200 mAmps (100kHz)
Leakage Current	6 uA
Testing and Reliability	Option B, Surge Testing At -55C And +85C After Weibull

Statements of suitability for certain applications are based on our knowledge of typical operating conditions for such applications, but are not intended to constitute - and we specifically disclaim - any warranty concerning suitability for a specific customer application or use. This Information is intended for use only by customers who have the requisite experience and capability to determine the correct products for their application. Any technical advice inferred from this Information or otherwise provided by us with reference to the use of our products is given gratis, and we assume no obligation or liability for the advice given or results obtained.