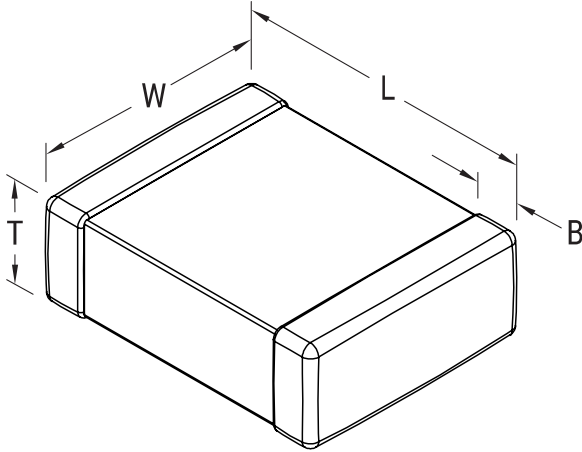


M123A13BXB334KS

Aliases (C2225Z334K5XAH)

SMD Mil PRF123, Ceramic, 0.33 uF, 10%, 50 VDC, BX, SMD Chip, Temperature Stable, N/A, 2225 / 5663



Click [here](#) for the 3D model.

General Information

Series	SMD Mil PRF123
Style	SMD Chip
Description	SMD Chip, Temperature Stable
RoHS	No
Prop 65	WARNING: Cancer and reproductive harm - https://www.p65warnings.ca.gov/
SCIP Number	646e40c8-ce81-456e-b9ed-50112f3d27a5
Termination	Nickel
Failure Rate	N/A
Shelf Life	78 Weeks
MSL	1

Dimensions

L	5.59mm +/-0.38mm
W	6.35mm +/-0.38mm
T	1.79mm MAX
B	0.51mm +/-0.25mm
Case Code (EIA / mm)	2225 / 5663

Packaging Specifications

Packaging	Waffle
Packaging Quantity	25000

Specifications

Capacitance	0.33 uF
Tolerance	10%
Voltage DC	50 VDC
Dielectric Withstanding Voltage	125 VDC
Temperature Range	-55/+125°C
Temp. Coefficient	BX
Capacitance Change with Reference to +25°C and 0 VDC Applied (TCC)	15%, 1kHz 1.0Vms
Dissipation Factor	2.5%
Aging Rate	1% Loss/Decade Hour
Insulation Resistance	3.0303 GOhms

Statements of suitability for certain applications are based on our knowledge of typical operating conditions for such applications, but are not intended to constitute - and we specifically disclaim - any warranty concerning suitability for a specific customer application or use. This Information is intended for use only by customers who have the requisite experience and capability to determine the correct products for their application. Any technical advice inferred from this Information or otherwise provided by us with reference to the use of our products is given gratis, and we assume no obligation or liability for the advice given or results obtained.