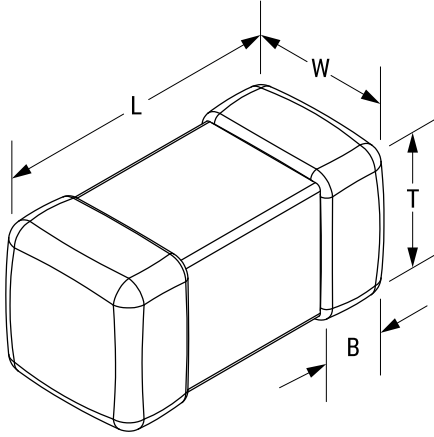


## LO603CR12JRMST

Aliases (LO603CR12JRMST)

Obsolete

KEMET, L-RMS, Ceramic, 5%, 120 nH



Click [here](#) for the 3D model.

### General Information

Series	L-RMS
Style	SMD Multi-Layer
Core	Ceramic
Description	Surface Mount Inductor
RoHS	Yes

### Dimensions

L	1.6mm +/-0.15mm
W	0.8mm +/-0.15mm
T	0.8mm +/-0.15mm

### Packaging Specifications

Packaging	T&R
Packaging Quantity	4000

### Specifications

Inductance	0.12 uH (50 MHz)
Inductance Tolerance	5%
Inductance	120 nH
Rated Current	300 mAmps (MAX)
Temperature Range	-40/+85°C
DC Resistance	1.2 Ohms
DC Resistance	1.2 Ohms
Quality Factor	16 at 100 MHz, 23 at 500 MHz
Self-Resonant Frequency	500 MHz

Statements of suitability for certain applications are based on our knowledge of typical operating conditions for such applications, but are not intended to constitute - and we specifically disclaim - any warranty concerning suitability for a specific customer application or use. This Information is intended for use only by customers who have the requisite experience and capability to determine the correct products for their application. Any technical advice inferred from this Information or otherwise provided by us with reference to the use of our products is given gratis, and we assume no obligation or liability for the advice given or results obtained.