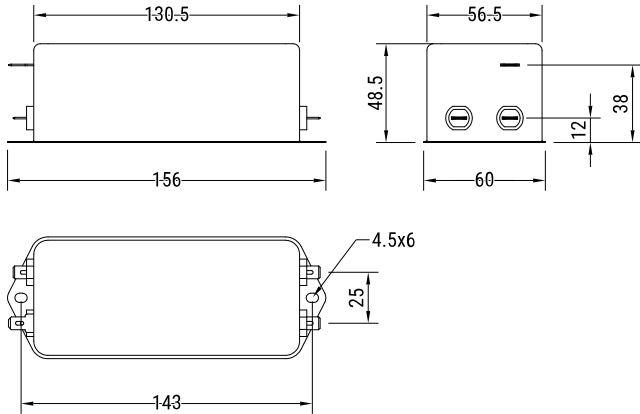


FLLE2010AUMD

Aliases (LLE2010AUMD)

Obsolete

EMI Filters, KEMET, FLLE2-U, Chassis Mount, Noise Suppression, 8,000 uH, 130.5x56.5x48.5mm



Click [here](#) for the 3D model.

General Information

| | |
|--------------------------|-------------------------------------|
| Series | FLLE2-U |
| Style | Chassis Mount |
| Description | Single Phase, Chassis Mount Filters |
| Features | Single Phase, Medical |
| Phase | Single-phase |
| RoHS | Yes |
| Qualifications | IEC/EN 60939, UL, CSA |
| Lead | Wire Leads |
| Terminal Type | Wire |
| Test Voltage DC (P to N) | 1300 VDC |

Specifications

| | |
|----------------------------|------------|
| Voltage AC | 300 VAC |
| Voltage DC | 300 VDC |
| Inductance | 8 mH |
| Rated Frequency | 50-60 Hz |
| Rated Current | 10 A |
| Ripple Current | 10 A |
| Rated Temperature | 40°C |
| Temperature Range | -25/+100°C |
| Climate Category | 25/100/21 |
| Leakage Current | 0.34 mA |
| Test Voltage DC (P/N to E) | 2250 VDC |

Dimensions

| | |
|------|-------------|
| L | 130.5mm MIN |
| W | 56.5mm MIN |
| H | 48.5mm MIN |
| Lead | Wire Leads |

Packaging Specifications

| | |
|--------------------------|-------|
| Packaging | Bulk |
| Packaging Quantity | 1 |
| Typical Component Weight | 695 g |

Statements of suitability for certain applications are based on our knowledge of typical operating conditions for such applications, but are not intended to constitute - and we specifically disclaim - any warranty concerning suitability for a specific customer application or use. This Information is intended for use only by customers who have the requisite experience and capability to determine the correct products for their application. Any technical advice inferred from this Information or otherwise provided by us with reference to the use of our products is given gratis, and we assume no obligation or liability for the advice given or results obtained.