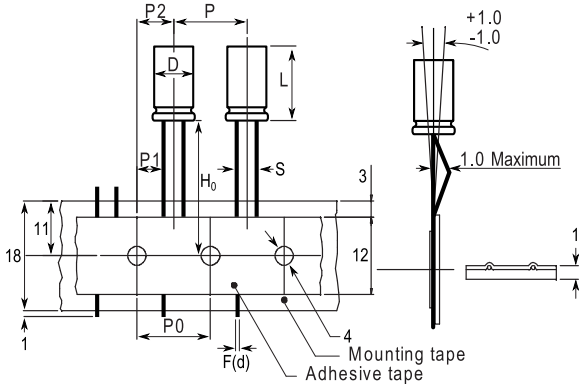


Straight Leads Diameter > 8  
Lead and packaging code EA and KA



Note: '()' correspond to the letters used in the product bulletin

Click [here](#) for the 3D model.

**General Information**

|             |                                     |
|-------------|-------------------------------------|
| Series      | ESU                                 |
| Dielectric  | Aluminum Electrolytic               |
| Description | Single Ended, Aluminum Electrolytic |
| RoHS        | Yes                                 |
| Lead        | Wire Leads                          |

**Dimensions**

|             |                  |
|-------------|------------------|
| D           | 10mm +/-0.5mm    |
| L           | 20mm +2.0mm      |
| S           | 5mm +/-0.5mm     |
| LL Negative | 15mm MIN         |
| LL Positive | 20mm MIN         |
| H0          | 18.5mm +/-0.75mm |
| F           | 0.6mm NOM        |

**Packaging Specifications**

|           |     |
|-----------|-----|
| Packaging | T&R |
|-----------|-----|

**Specifications**

|                         |                          |
|-------------------------|--------------------------|
| Capacitance             | 10 uF                    |
| Tolerance               | 20%                      |
| Voltage DC              | 400 VDC, 450 VDC (Surge) |
| Temperature Range       | -25/+105°C               |
| Rated Temperature       | 105°C                    |
| Life                    | 10000 Hrs                |
| Dissipation Factor      | 20% 120Hz 20C            |
| Ripple Current          | 180 mAmps (100kHz 105C)  |
| Leakage Current         | 260 uA (2min 20°C)       |
| Impedance Ratio at -25C | 5                        |

Statements of suitability for certain applications are based on our knowledge of typical operating conditions for such applications, but are not intended to constitute - and we specifically disclaim - any warranty concerning suitability for a specific customer application or use. This Information is intended for use only by customers who have the requisite experience and capability to determine the correct products for their application. Any technical advice inferred from this Information or otherwise provided by us with reference to the use of our products is given gratis, and we assume no obligation or liability for the advice given or results obtained.