

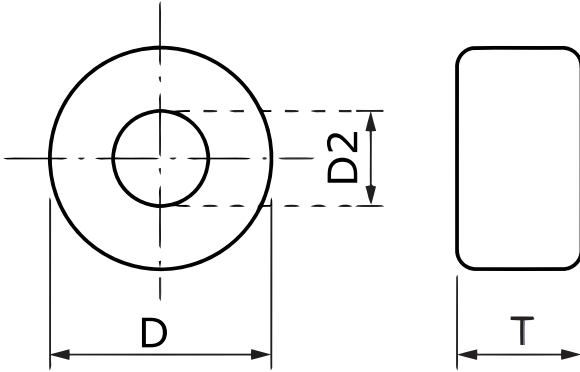
ESD-R-10E

Aliases (UECESDR10E0000)

Not for New Design

EOL: 11-30-2026 / Last time buy date: 05-29-2026

EMI Suppression, KEMET, ESD-R, Round - Toroidal, Noise Suppression



Click [here](#) for the 3D model.

General Information

Series	ESD-R
Style	Round - Toroidal
Cable Type	Round Cable
Description	EMI Core Solid, For Round Cables, Toroidal Cores, Bare Type
RoHS	Yes
Qualifications	UL94 V-2
Materials	Ni-Zn
Core	Ni-Zn Ferrite

Dimensions

D	10mm +/-0.5mm
D2	5mm +/-0.4mm
T	5mm +/-0.4mm

Packaging Specifications

Packaging	Tray, Box
Packaging Quantity	7000
Typical Component Weight	1.5 g

Specifications

Temperature Range	-25/+85°C
Effective Frequency	500 MHz (FM Band Range)

Statements of suitability for certain applications are based on our knowledge of typical operating conditions for such applications, but are not intended to constitute - and we specifically disclaim - any warranty concerning suitability for a specific customer application or use. This Information is intended for use only by customers who have the requisite experience and capability to determine the correct products for their application. Any technical advice inferred from this Information or otherwise provided by us with reference to the use of our products is given gratis, and we assume no obligation or liability for the advice given or results obtained.