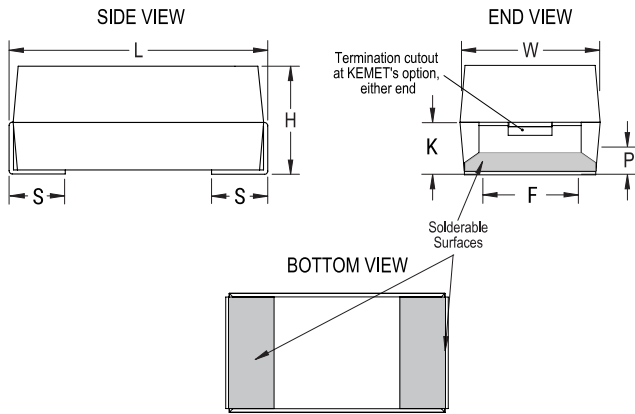


CWR29HH226KTGC

Aliases (T429G226K015THTLVL)

T429 CWR29, Tantalum, MnO2 Tantalum, Military/High Reliability, 22 uF, 10%, 15 VDC, SMD, MnO2, Molded, Military Equivalent, Low ESR, T, 275 mOhms, 3.17 mm, 2611 / 6728



Click [here](#) for the 3D model.

General Information

Series	T429 CWR29
Dielectric	MnO2 Tantalum
Style	SMD Chip
Description	SMD, MnO2, Molded, Military Equivalent, Low ESR
RoHS	No
Prop 65	WARNING: Cancer and reproductive harm - https://www.p65warnings.ca.gov/
SCIP Number	1dd2e1b8-26dd-4d52-927c-6f9d519011aa
Termination	Tin Lead (SnPb)
Qualifications	MIL-PRF-55365/11, CWR29 Style
Typical Component Weight	266.42 mg
Notes	Note: When Option C Is Selected For Lead Material, Add An Additional 0.38mm To The Tolerances For "L", "W", "H", "K", "F" And "S".
MSL	1

Dimensions

L	6.73mm +/-0.38mm
W	2.79mm +/-0.38mm
H	2.79mm +/-0.38mm
S	1.27mm +0.25/-0.13mm
F	2.67mm +/-0.13mm
K	1.52mm MIN
P	0.76mm MIN

Packaging Specifications

Packaging	T&R, 178mm
Packaging Quantity	500

Specifications

Capacitance	22 uF
Tolerance	10%
Voltage DC	15 VDC (85C), 10 VDC (125C)
Temperature Range	-55/+125°C
Rated Temperature	85°C
Dissipation Factor	6% 120Hz 25C
Failure Rate	T
ESR	0.275 Ohms (100kHz 25C)
Ripple Current	674 mA (rms, 100kHz 25C)
Leakage Current	4 uA (5min 25°C)
Testing and Reliability	Surge Testing (10 Cycles At -55C +/-5C And +85C +/-5C Before Weibull, Weibull Grade Level "T")

Statements of suitability for certain applications are based on our knowledge of typical operating conditions for such applications, but are not intended to constitute - and we specifically disclaim - any warranty concerning suitability for a specific customer application or use. This Information is intended for use only by customers who have the requisite experience and capability to determine the correct products for their application. Any technical advice inferred from this Information or otherwise provided by us with reference to the use of our products is given gratis, and we assume no obligation or liability for the advice given or results obtained.