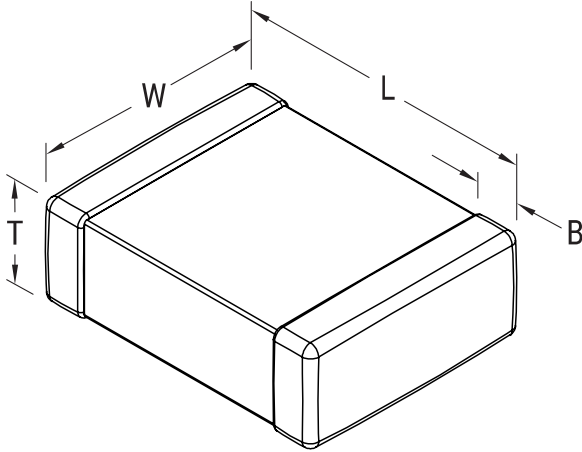


CDR05BX104BKUS

Aliases (C1825P104K1XSL, CDR05BX104BKZS, CDR05BX104BKWS)

SMD Mil PRF55681, Ceramic, 0.1 uF, 10%, 100 VDC, BX, Ceramic Chips, MIL PRF 55681 Established Reliability, S (0.001%/1000 Hrs), 1825 / 4663



Click [here](#) for the 3D model.

General Information

Series	SMD Mil PRF55681
Style	SMD Chip
Description	Ceramic Chips, MIL PRF 55681 Established Reliability
RoHS	No
Prop 65	WARNING: Cancer and reproductive harm - https://www.p65warnings.ca.gov/
Termination	Lead (SnPb)
Failure Rate	S (0.001%/1000 Hrs)
Testing and Reliability	MIL-PRF-55681
Qualifications	MIL-PRF-55681
Shelf Life	78 Weeks
MSL	1

Dimensions

L	4.57mm +/-0.38mm
W	6.35mm +0.51/-0.38mm
T	2.03mm MAX
B	0.51mm +/-0.25mm
Case Code (EIA / mm)	1825 / 4663

Packaging Specifications

Packaging	Bulk, Bag
Packaging Quantity	7500

Specifications

Capacitance	0.1 uF
Tolerance	10%
Voltage DC	100 VDC
Dielectric Withstanding Voltage	250 VDC
Temperature Range	-55/+125°C
Temp. Coefficient	BX
Dissipation Factor	2.5%
Insulation Resistance	100 GOhms

Statements of suitability for certain applications are based on our knowledge of typical operating conditions for such applications, but are not intended to constitute - and we specifically disclaim - any warranty concerning suitability for a specific customer application or use. This Information is intended for use only by customers who have the requisite experience and capability to determine the correct products for their application. Any technical advice inferred from this Information or otherwise provided by us with reference to the use of our products is given gratis, and we assume no obligation or liability for the advice given or results obtained.