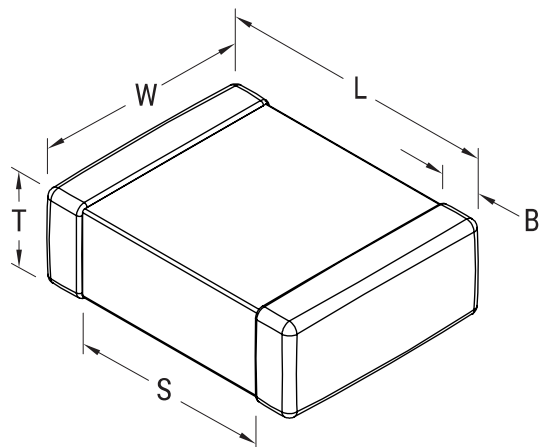


## C1210X106K8NACAUTO

SMD Auto X8L HT150C, Ceramic, 10 uF, 10%, 10 VDC, X8L, SMD, MLCC, High Temperature, Temperature Stable, Automotive Grade, 1.5 mm, 1210 / 3225



Click [here](#) for the 3D model.

### General Information

|                          |   |
|--------------------------|---|
| Series                   | SMD Auto X8L HT150C   |
| Style                    | SMD Chip  |
| Description              | SMD, MLCC, High Temperature, Temperature Stable, Automotive Grade |
| Features                 | High Temperature, Temperature Stable, Automotive Grade            |
| RoHS                     | Yes   |
| Termination              | Flexible Termination  |
| Marking                  | No  |
| Qualifications           | AEC-Q200  |
| Typical Component Weight | 135 mg  |
| Shelf Life               | 78 Weeks  |
| MSL                      | 1   |

### Specifications

|  |   |
|--|---|
| Capacitance  | 10 uF   |
| Measurement Condition  | 1 kHz 1.0Vrms                                   |
| Tolerance  | 10%   |
| Voltage DC   | 10 VDC  |
| Dielectric Withstanding Voltage                                    | 25 VDC  |
| Temperature Range  | -55/+150°C                                      |
| Temp. Coefficient  | X8L   |
| Capacitance Change with Reference to +25°C and 0 VDC Applied (TCC) | +15%/-40%, 1kHz 1.0Vrms                         |
| Dissipation Factor   | 3.5% 1 kHz 1.0Vrms                              |
| Aging Rate   | 3% Loss/Decade Hour: Referee Time is 1000 Hours |
| Insulation Resistance  | 50 MOhms  |

### Dimensions

|                      |                 |
|----------------------|-----------------|
| L                    | 3.3mm +/-0.4mm  |
| W                    | 2.6mm +/-0.3mm  |
| T                    | 2.5mm +/-0.30mm |
| S                    | 1.5mm MIN       |
| B                    | 0.6mm +/-0.25mm |
| Case Code (EIA / mm) | 1210 / 3225     |

### Packaging Specifications

|                    |                          |
|--------------------|--------------------------|
| Packaging          | T&R, 180mm, Plastic Tape |
| Packaging Quantity | 1000                     |

Statements of suitability for certain applications are based on our knowledge of typical operating conditions for such applications, but are not intended to constitute - and we specifically disclaim - any warranty concerning suitability for a specific customer application or use. This Information is intended for use only by customers who have the requisite experience and capability to determine the correct products for their application. Any technical advice inferred from this Information or otherwise provided by us with reference to the use of our products is given gratis, and we assume no obligation or liability for the advice given or results obtained.