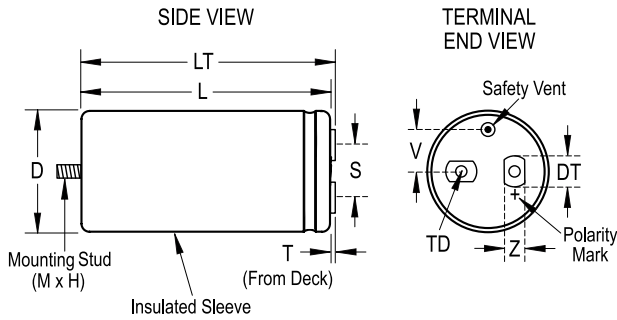


ALS61A561KE550

Not for New Design

ALS61, Aluminum, Aluminum Electrolytic, 560 uF, 20%, 550 VDC, -40/+85°C, 22.2 mm



Click [here](#) for the 3D model.

General Information

Series	ALS61
Dielectric	Aluminum Electrolytic
Description	High Voltage, Screw Terminal, Aluminum Electrolytic
RoHS	Yes
Lead	Oval Threaded Inserts M5
Mounting	Through-Hole
Optional Mounting	Stud
Typical Component Weight	220 g
Notes	Dimensions D And L Include Slewing. MS (MxH) = M12x16.

Dimensions

D	51mm +/-1mm
L	82mm +/-2mm
T	5.5mm +/-0.5mm
S	22.2mm +/-0.5mm
DT	13mm +/-0.5mm
LT	86.5mm +/-1mm
TD	10mm MIN
V	13.7mm NOM
Z	10mm NOM

Packaging Specifications

Slewing	Yes
Packaging	Bulk, Box

Specifications

Capacitance	560 uF
Tolerance	20%
Voltage DC	550 VDC, 605 VDC (Surge)
Temperature Range	-40/+85°C
Rated Temperature	85°C
Life	18000 Hrs
ESR	536 mOhms (100Hz 20C), 475.2 mOhms (10kHz 20C)
Ripple Current	4.58 Amps (100Hz 85C), 7.4 Amps (10kHz 85C)
Leakage Current	1848 uA (5min 20°C)

Statements of suitability for certain applications are based on our knowledge of typical operating conditions for such applications, but are not intended to constitute - and we specifically disclaim - any warranty concerning suitability for a specific customer application or use. This Information is intended for use only by customers who have the requisite experience and capability to determine the correct products for their application. Any technical advice inferred from this Information or otherwise provided by us with reference to the use of our products is given gratis, and we assume no obligation or liability for the advice given or results obtained.