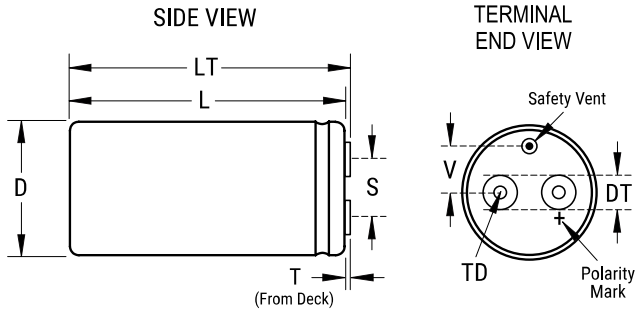


## ALS36H103K2C063

Not for New Design

ALS36, Aluminum, Aluminum Electrolytic, 10,000 uF, -10/+30%, 63 VDC, -40/+85°C, 22.22 mm



Click [here](#) for the 3D model.

### General Information

Series	ALS36
Dielectric	Aluminum Electrolytic
Description	Screw Terminal, Aluminum Electrolytic
RoHS	Yes
Lead	Screw Terminals 10-32 UNF 2B
Mounting	Through-Hole
Typical Component Weight	164 g
Notes	Add 0.015 in/ 0.4 mm to D and 0.045 in/ 1.1 mm to L for Slewing. Dimension LT Available On Request. MS (MxH) = M12x16. Mounting Clamp (Sold Separately): V4/2737
Shelf Life	156 Weeks

### Specifications

Capacitance	10,000 uF
Tolerance	-10/+30%
Voltage DC	63 VDC, 67 VDC (Surge)
Temperature Range	-40/+85°C
Rated Temperature	85°C
Life	18000 Hrs (Rated Voltage And Ripple Current At 85C), 36000 Hrs (Rated Voltage at 85C)
ESR	32 mOhms (120Hz 25C), 26 mOhms (20kHz 25C)
Ripple Current	9.5 Amps (120Hz 85C), 11.4 Amps (20kHz 85C)
Leakage Current	3780 uA (5min 20°C)

### Dimensions

D	50.8mm +/-0.787mm
L	53.975mm +/-1.575mm
T	7.137mm +/-0.787mm
S	22.225mm +/-0.483mm
DT	8.001mm +/-0.483mm
TD	10.008mm MIN
V	13.691mm NOM

### Packaging Specifications

Packaging	Bulk, Box
-----------	-----------

Statements of suitability for certain applications are based on our knowledge of typical operating conditions for such applications, but are not intended to constitute - and we specifically disclaim - any warranty concerning suitability for a specific customer application or use. This Information is intended for use only by customers who have the requisite experience and capability to determine the correct products for their application. Any technical advice inferred from this Information or otherwise provided by us with reference to the use of our products is given gratis, and we assume no obligation or liability for the advice given or results obtained.