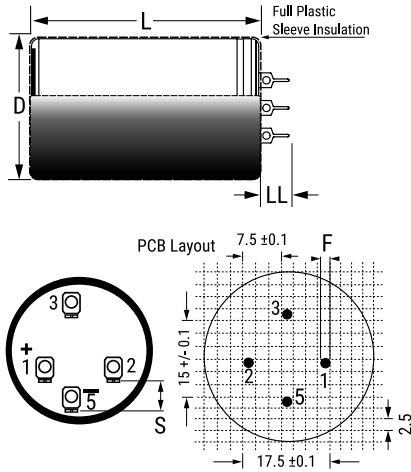


ALP20A101BB400

Not for New Design

ALP20, Aluminum, Aluminum Electrolytic, 100 uF, -10/+30%, 400 VDC, -40/+85°C, 7.5 mm



Click [here](#) for the 3D model.

General Information

Series	ALP20
Dielectric	Aluminum Electrolytic
Description	Solder Pin, Aluminum Electrolytic
RoHS	Yes
Lead	4 Pin Solder
Typical Component Weight	50 g
Notes	Dimensions D And L Include Sleevling.
Shelf Life	156 Weeks

Dimensions	
D	30mm +/-1mm
L	45mm +/-2mm
S	7.5mm +/-0.1mm
LL	7.5mm +/-0.5mm
F	1.3mm

Packaging Specifications	
Sleevling	Yes
Packaging	Tray

Specifications	
Capacitance	100 uF
Tolerance	-10/+30%
Voltage DC	400 VDC, 440 VDC (Surge)
Temperature Range	-40/+85°C
Rated Temperature	85°C
Life	15000 Hrs
Leakage Current	240 uA (5min 20°C)

Statements of suitability for certain applications are based on our knowledge of typical operating conditions for such applications, but are not intended to constitute - and we specifically disclaim - any warranty concerning suitability for a specific customer application or use. This Information is intended for use only by customers who have the requisite experience and capability to determine the correct products for their application. Any technical advice inferred from this Information or otherwise provided by us with reference to the use of our products is given gratis, and we assume no obligation or liability for the advice given or results obtained.