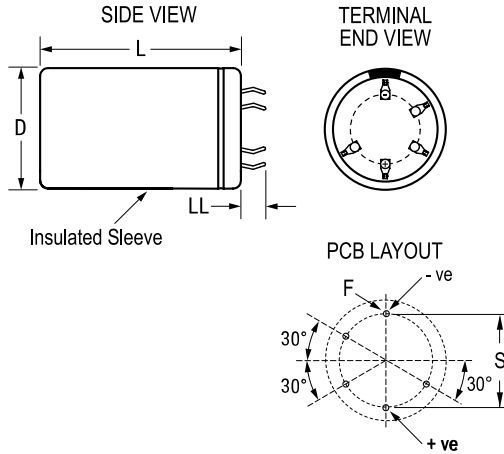


ALC80H432FP250

ALC80, Aluminum, Aluminum Electrolytic, 4,300 uF, 20%, 250 VDC, -40/+105°C, 25 mm



Click [here](#) for the 3D model.

General Information

Series	ALC80
Dielectric	Aluminum Electrolytic
Description	Snap-In, Aluminum Electrolytic
RoHS	Yes
Lead	5 Pin Short
Halogen Free	Yes
Typical Component Weight	225 g
Notes	Dimensions D And L Include Slewing.
Shelf Life	156 Weeks

Dimensions

D	45mm +1mm
L	105mm +/-2mm
S	25mm +/-0.1mm
LL	4mm +/-1mm
F	2mm +/-0.1mm

Packaging Specifications

Slewing	Yes
Packaging	Tray

Specifications

Capacitance	4,300 uF
Tolerance	20%
Voltage DC	250 VDC, 288 VDC (Surge)
Temperature Range	-40/+105°C
Rated Temperature	105°C
Life	9000 Hrs (Rated Voltage And Ripple Current At 105C), 14000 Hrs (Rated Voltage at 105C)
ESR	44.85 mOhms (100Hz 20C), 27.75 mOhms (10kHz 20C)
Ripple Current	8.893 Amps (100Hz 105C), 16.22 Amps (10kHz 105C)
Leakage Current	3225 uA (5min 20°C)

Statements of suitability for certain applications are based on our knowledge of typical operating conditions for such applications, but are not intended to constitute - and we specifically disclaim - any warranty concerning suitability for a specific customer application or use. This Information is intended for use only by customers who have the requisite experience and capability to determine the correct products for their application. Any technical advice inferred from this Information or otherwise provided by us with reference to the use of our products is given gratis, and we assume no obligation or liability for the advice given or results obtained.