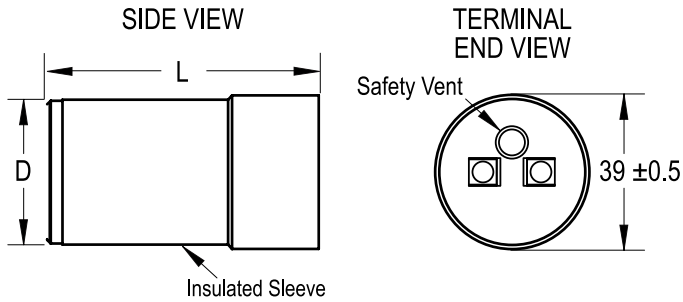


400MS12ACMA1STD

MS/A902, Aluminum, Aluminum Electrolytic, 400 uF, -0/+25%, 120 VAC, -20/+60°C



Click [here](#) for the 3D model.

General Information

Series	MS/A902
Dielectric	Aluminum Electrolytic
Style	Motor Start
Description	Motor Start Aluminum Electrolytic
RoHS	Yes
Lead	Quick Connect
Halogen Free	Yes
Shelf Life	156 Weeks

Dimensions

D	38mm +/-0.5mm
L	116mm MAX

Packaging Specifications

Packaging	Bulk, Bag
-----------	-----------

Specifications

Capacitance	400 uF
Tolerance	-0/+25%
Voltage AC	120 VAC
Temperature Range	-20/+60°C
Rated Temperature	60°C
Life	500 Hrs

Statements of suitability for certain applications are based on our knowledge of typical operating conditions for such applications, but are not intended to constitute - and we specifically disclaim - any warranty concerning suitability for a specific customer application or use. This Information is intended for use only by customers who have the requisite experience and capability to determine the correct products for their application. Any technical advice inferred from this Information or otherwise provided by us with reference to the use of our products is given gratis, and we assume no obligation or liability for the advice given or results obtained.